



REPLY TO  
ATTENTION OF

DEPARTMENT OF THE ARMY

THE INSTITUTE OF HERALDRY  
9325 GUNSTON ROAD, ROOM S112  
FORT BELVOIR, VIRGINIA 22060-5579

AAHS-IHS (840-10a)

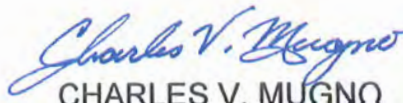
JAN 22 2015

MEMORANDUM FOR Commander, 262d Quartermaster Battalion, ATTN: SFC  
Herschel Gillins, 287A Bizerte Road, Fort Lee, VA 23801

SUBJECT: Beret Flash and Background Trimming for C Company, 262d  
Quartermaster Battalion

1. The request for a beret flash and background trimming for C Company, 262d Quartermaster Battalion is approved. Forwarded for your organizational records is the authorization letter (encl 1).
2. Also enclosed for use in procurement of the items are:
  - a. Manufacturing drawings for the flash and trimming (TIOH Dwg. No. A-4-297 and A-6-325) (encls 2 and 3).
  - b. Color prints and black and white line drawings of the flash and trimming (encls 4 and 5).
  - c. A list of certified manufacturers and procedures for local procurement of insignia (encls 6 and 7).
3. POC this Institute is Mrs. Henning by telephone at DSN 656-4972, Commercial (703) 806-4972 or by email at [Bonnie.Henning@us.army.mil](mailto:Bonnie.Henning@us.army.mil).

7 Encls  
as

  
CHARLES V. MUGNO  
Director



REPLY TO  
ATTENTION OF

**DEPARTMENT OF THE ARMY**  
THE INSTITUTE OF HERALDRY  
9325 GUNSTON ROAD, ROOM S112  
FORT BELVOIR, VIRGINIA 22060-5579

AAHS-IHS (840-10a)

JAN 22 2015

MEMORANDUM FOR Commander, 262d Quartermaster Battalion, ATTN: SFC  
Herschel Gillins, 287A Bizerte Road, Fort Lee, VA 23801

SUBJECT: Beret Flash and Background Trimming for C Company, 262d  
Quartermaster Battalion

1. In accordance with the provisions of AR-670-1, a beret flash and background trimming are authorized for wear by members of C Company, 262d Quartermaster Battalion.
2. The descriptions of the designs are as follows:

#### BERET FLASH

A shield-shaped embroidered item with a semi-circular base 2 1/4 inches (5.72 cm) in height and 1 7/8 inches (4.76 cm) in width overall, divided diagonally from upper right to lower left ultramarine blue over buff by a 1/4 inch (.64 cm) diagonal maroon stripe; all within a 1/8 inch (.32 cm) maroon inner border and a 1/8 inch (.32 cm) black outer border.

#### BACKGROUND TRIMMING

An oval-shaped embroidered item 1 3/8 inches (3.49 cm) in height and 2 1/4 inches (5.72 cm) in width overall, divided diagonally from upper right to lower left ultramarine blue over buff by a 1/4 inch (.64 cm) diagonal maroon stripe; all within a 1/8 inch (.32 cm) maroon inner border and a 1/8 inch (.32 cm) black outer border.


#### CABLE NUMBERS OF COLORS

Black	#67138
Maroon	#67114
Ultramarine Blue	#67118
Buff	#67135

AAHS-IHS (840-10a)

SUBJECT: Beret Flash and Background Trimming for C Company, 262d  
Quartermaster Battalion

3. This authorization does not grant exclusive use of the above colors and pattern design for C Company, 262d Quartermaster Battalion.

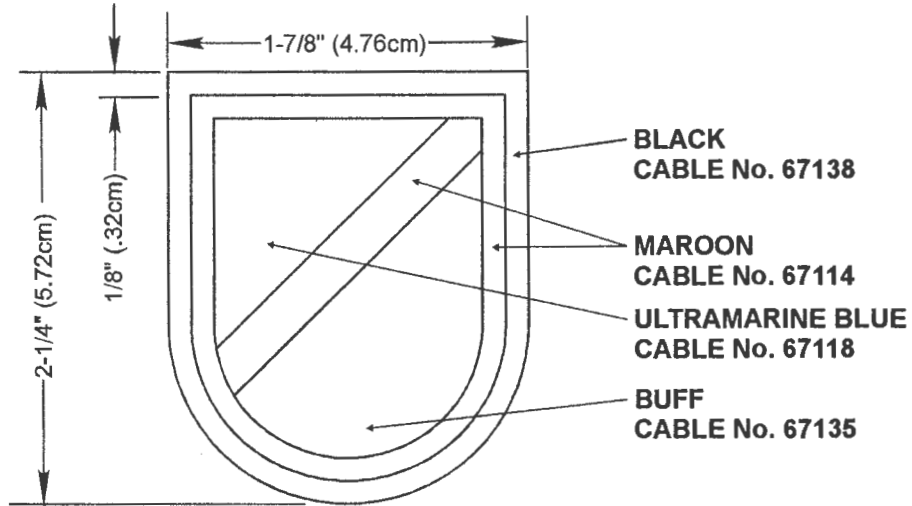


CHARLES V. MUGNO  
Director

CF: CMH

**REVISIONS**

LTR	DESCRIPTION	DATE	APPROVED
-----	-------------	------	----------



**DESIGNED FOR OVEREDGE STITCHING**

UNLESS OTHERWISE SPECIFIED DIMENSIONS ARE IN INCHES  
TOLERANCES ON FRACTIONS DECIMALS ANGLES

EXAMINED	<i>SNO</i>
CHECKED	<i>CA</i>
PREPARED	CLH
APPROVED	<i>Charles V. Mugno</i>
CHARLES V. MUGNO DIRECTOR	

**THE INSTITUTE OF HERALDRY, DEPARTMENT OF THE ARMY**  
9325 GUNSTON RD, RM S-113 FORT BELVOIR, VA 22060-5579

BERET FLASH FOR

***C COMPANY, 262D QUARTERMASTER BN.***

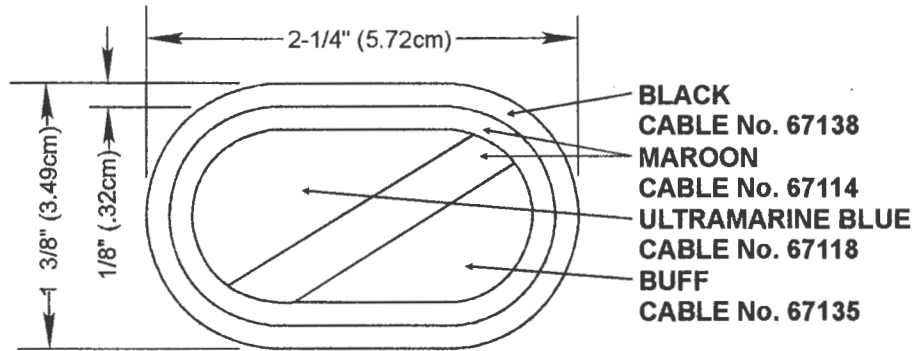
**MATERIALS:**  
TO BE MANUFACTURED IN ACCORDANCE WITH MIL-DTL-14652

SIZE	CONTROL IDENT. NO	<b>A-4-297</b>
<b>A</b>	<b>22571</b>	

SCALE FULL DATE **13 JANUARY 2015**

**REVISIONS**

LTR	DESCRIPTION	DATE	APPROVED
-----	-------------	------	----------



**DESIGNED FOR OVEREDGE STITCHING**

UNLESS OTHERWISE SPECIFIED DIMENSIONS ARE IN INCHES  
TOLERANCES ON FRACTIONS DECIMALS ANGLES

EXAMINED	<i>saw</i>	
CHECKED	<i>cl</i>	<i>saw</i>
PREPARED	CLH	

**THE INSTITUTE OF HERALDRY, DEPARTMENT OF THE ARMY**  
9325 GUNSTON RD, RM S-113 FORT BELVOIR, VA 22060-5579

BACKGROUND TRIMMING FOR  
**C COMPANY, 262D QUARTERMASTER BN**

**MATERIALS:**  
TO BE MANUFACTURED IN ACCORDANCE WITH MIL-DTL-14652

APPROVED  
*Charles V. Mugno*  
CHARLES V. MUGNO  
DIRECTOR

SIZE	CONTROL IDENT. NO	<b>A-6-325</b>
<b>A</b>	<b>22571</b>	

SCALE FULL DATE **04 DECEMBER 2014**

