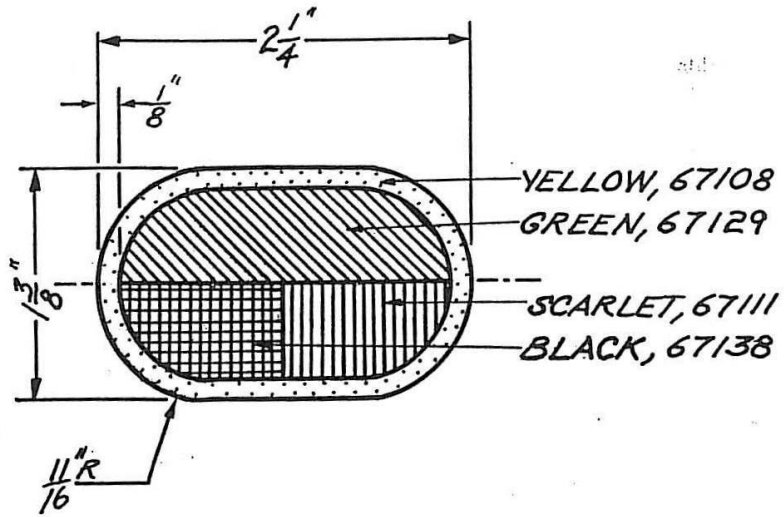


DESIGNED FOR OVEREDGE STITCHING

UNLESS OTHERWISE SPECIFIED DIMENSIONS ARE IN INCHES TOLERANCES ON FRACTIONS DECIMALS ANGLES			THE INSTITUTE OF HERALDRY, U.S. ARMY CAMERON STATION, ALEXANDRIA, VA 22304-5050	
	EXAMINED	VP	BERET FLASH FOR UNITED STATES ARMY 1ST SPECIAL OPERATIONS COMMAND	
	CHECKED			
	PREPARED	C.R.H.		
MATERIAL:	APPROVED	SIZE	CODE IDENT. NO.	A-4-52
	<i>Robert F. Baker</i> ROBERT F. BAKER, COL, GS, DIRECTOR	A	22571	
		SCALE FULL	DATE 3 FEBRUARY 1989	

CANCELLED 21 NOVEMBER 1988

LTR	DESCRIPTION	DATE	APPROVEI
ALL	CANCELLATION.	27 Nov '89	R.F. BAKER, COL, DIRECTOR



DESIGNED FOR OVEREDGE STITCHING

UNLESS OTHERWISE SPECIFIED DIMENSIONS ARE IN INCHES TOLERANCES ON FRACTIONS DECIMALS ANGLES

MATERIAL:

EXAMINED		
CHECKED		
PREPARED	C.L.H.	

APPROVED
Robert F. Baker
 ROBERT F. BAKER, COL, GS,
 DIRECTOR

THE INSTITUTE OF HERALDRY, U.S. ARMY
 CAMERON STATION, ALEXANDRIA, VA 22304-5050

BACKGROUND TRIMMING FOR
 UNITED STATES ARMY 1ST
 SPECIAL OPERATIONS COMMAND

SIZE	CODE IDENT. NO.	A-6-72
A	22571	
SCALE FULL	DATE 3 FEBRUARY 1989	

CANCELLED 21 NOVEMBER 196