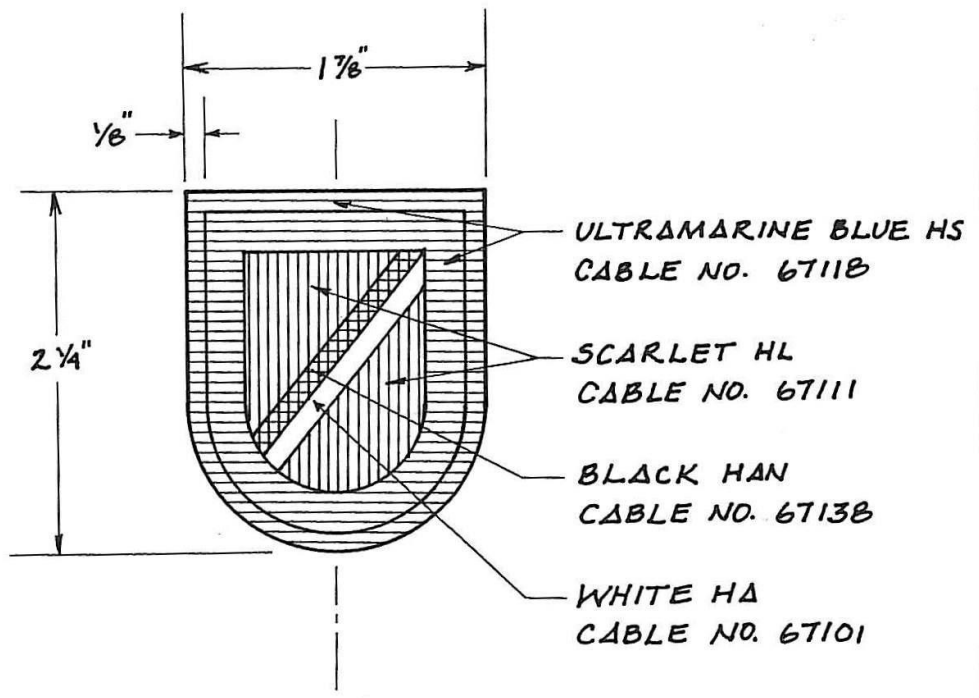




REVISIONS			
LTR	DESCRIPTION	DATE	APPROVED



DESIGNED FOR OVEREDGE STITCHING

D
C
B
A

UNLESS OTHERWISE SPECIFIED DIMENSIONS ARE IN INCHES TOLERANCES ON DECIMALS ANGLES

EXAMINED	JP
CHECKED	UH
PREPARED	RW-D
APPROVED	<i>Robert F. Baker</i> ROBERT F. BAKER, COLONEL, GS, DIRECTOR

THE INSTITUTE OF HERALDRY, U.S. ARMY
CAMERON STATION, ALEXANDRIA, VA 22304-5050

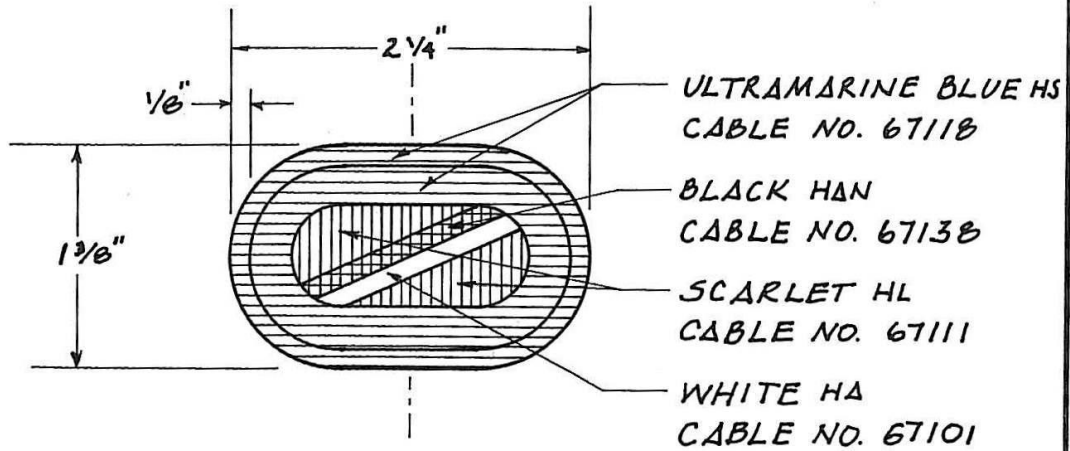
BERET FLASH FOR
LONG RANGE SURVEILLANCE DET.
2d INFANTRY DIV.

A

SIZE	CODE IDENT. NO.	A-4-49
A	22571	
SCALE	DATE	
FULL	13 JUNE 1988	



REVISIONS			
LTR	DESCRIPTION	DATE	APPROVED



DESIGNED FOR OVEREDGE STITCHING

UNLESS OTHERWISE SPECIFIED DIMENSIONS ARE IN INCHES TOLERANCES ON ACTIONS DECIMALS ANGLES MATERIAL:	EXAMINED	JY		THE INSTITUTE OF HERALDRY, U.S. ARMY CAMERON STATION, ALEXANDRIA, VA 22304-5050	
	CHECKED	JH		BACKGROUND TRIMMING FOR LONG RANGE SURVEILLANCE DET. 2D INFANTRY DIV.	
	PREPARED	RW-D		SIZE	CODE IDENT. NO.
	APPROVED	 ROBERT F. BAKER, COLONEL, GS DIRECTOR		A	22571
			SCALE	DATE 13 JUNE 1988	