



REPLY TO
ATTENTION OF

DEPARTMENT OF THE ARMY
THE INSTITUTE OF HERALDRY, UNITED STATES ARMY
CAMERON STATION, ALEXANDRIA, VIRGINIA 22304-5050



18 MAY 1993

TAPC-PDH-R (840-10a)

MEMORANDUM FOR Commander, 1st Support Command (Corps), Fort
Bragg, North Carolina 28307-5000

SUBJECT: Reinstatement of Authorization for Beret Flash and
Background Trimming

1. In accordance with the provisions of paragraphs 27-29a and 27-29b, AR 670-1, a beret flash and background trimming are authorized for wear by members of the 1st Support Command. The descriptions of the designs, with metric measurements included, are as follows:

BERET FLASH

On a blue shield-shaped embroidered item with a semi-circular base, 2 1/4 inches (5.72 cm) in height by 1 7/8 inches (4.76 cm) in width, a white diagonal arrow, point up, from lower right to upper left, all edged with a 1/8 inch (.32 cm) white inner border and a 7/32 inch (.56 cm) outer scarlet border.

BACKGROUND TRIMMING

On a blue oval-shaped embroidered item 1 3/8 inches (3.49 cm) in height and 2 1/4 inches (5.72 cm) in width overall, a white diagonal band from upper left to lower right, all edged with a 1/8 inch (.32 cm) white inner border and a 7/32 inch (.56 cm) scarlet outer border.

CABLE NUMBERS OF COLORS

Scarlet	#67111
Ultramarine Blue	#67118
White	#67101

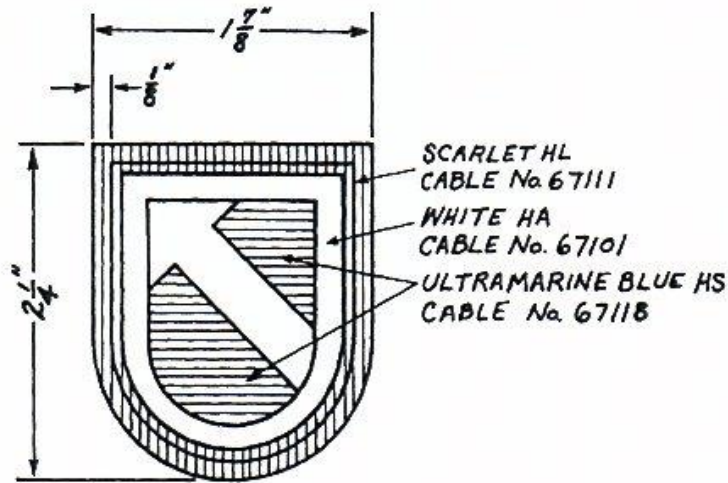
2. This authorization does not grant exclusive use of the above colors and pattern design for the 1st Support Command.

G.T. Luchino
GERALD T. LUCHINO
Director



REVISIONS

LTR	DESCRIPTION	DATE	APPROVED
A-D	CANCELLATION	APR. 2 2006	<i>[Signature]</i>
A-D	REINSTATED	May 13 1987	<i>[Signature]</i> G. J. LUCHINO / DIRECTOR



DESIGNED FOR OVEREDGE STITCHING

UNLESS OTHERWISE SPECIFIED DIMENSIONS ARE IN INCHES TOLERANCES ON FRACTIONS DECIMALS ANGLES

THE INSTITUTE OF HERALDRY, U.S. ARMY
CAMERON STATION, ALEXANDRIA, VA 22304-5050

EXAMINED	<i>SL</i>
CHECKED	<i>JH</i>
PREPARED	<i>SPO</i>
APPROVED	<i>Gerald J. Luchino</i> GERALD LUCHINO, COLONEL, GS. DIRECTOR

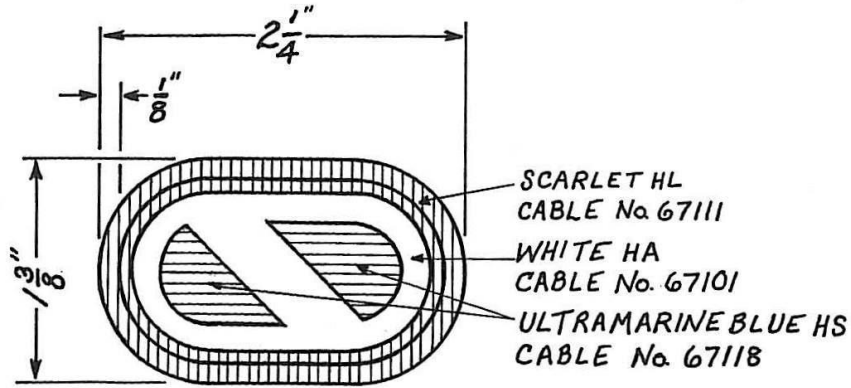
BERET FLASH FOR
1st SUPPORT COMMAND (CORPS)

SIZE	CODE IDENT. NO.	
A	22571	<i>A-4-40</i>
SCALE	FULL	DATE <i>14 SEPTEMBER 1987</i>

CANCELLED EFFECTIVE 13 APRIL 2006

REVISIONS

LTR	DESCRIPTION	DATE	APPROVED
A-D	CANCELLATION	APR. 2 '90	<i>[Signature]</i> C.T. LUCHINO, COL, US DIRECTOR
A-D	REINSTATED	MAY 15 '73	<i>[Signature]</i> C.T. LUCHINO, DIRECTOR



DESIGNED FOR OVEREDGE STITCHING

UNLESS OTHERWISE SPECIFIED DIMENSIONS ARE IN INCHES TOLERANCES ON ACTIONS DECIMALS ANGLES	EXAMINED <i>VP</i>		THE INSTITUTE OF HERALDRY, U.S. ARMY CAMERON STATION, ALEXANDRIA, VA 22304-5050	
	CHECKED <i>UMH</i>		<i>BACKGROUND TRIMMING FOR 1st SUPPORT COMMAND (CORPS)</i>	
	PREPARED <i>SPO</i>			
	APPROVED <i>Gerald T. Luchino</i> GERALD T. LUCHINO, COLONEL, US DIRECTOR		SIZE A	CODE IDENT. NO. 22571
MATERIAL:		SCALE FULL		DATE 14 SEPTEMBER 1987