



REPLY TO
ATTENTION OF

DEPARTMENT OF THE ARMY
THE INSTITUTE OF HERALDRY
9325 GUNSTON ROAD, ROOM S112
FORT BELVOIR, VIRGINIA 22060-5579

AAMH-IHS (840-10a)

APR 19 2016

MEMORANDUM FOR Commander, 982d Signal Company, ATTN: SSG Morelli, 2323 Dauphine Street, East Point, GA 30344-2503

SUBJECT: Beret Flash and Background Trimming for the 982d Signal Company

1. The request for a beret flash and background trimming for the 982d Signal Company is approved. Forwarded for your organizational records is the authorization letter (encl 1).
2. Also enclosed for use in procurement of the items are:
 - a. Manufacturing drawings for the flash and trimming (TIOH Dwg. No. A-4-305 and A-6-332) (encls 2 and 3).
 - b. Color prints and black and white line drawings of the flash and trimming (encls 4 and 5).
 - c. A list of certified manufacturers and procedures for local procurement of insignia (encls 6 and 7).
3. POC this Institute is Mrs. Henning by telephone at DSN 656-4972, Commercial (703) 806-4972 or by email at bonnie.s.henning.civ@mail.mil.

7 Encls
as


CHARLES V. MUGNO
Director



REPLY TO
ATTENTION OF

DEPARTMENT OF THE ARMY

THE INSTITUTE OF HERALDRY
9325 GUNSTON ROAD, ROOM S112
FORT BELVOIR, VIRGINIA 22060-5579

AAMH-IHS (840-10a)

APR 19 2016

MEMORANDUM FOR Commander, 982d Signal Company, ATTN: SSG Morelli, 2323 Dauphine Street, East Point, GA 30344-2503

SUBJECT: Beret Flash and Background Trimming for the 982d Signal Company

1. In accordance with the provisions of AR-670-1, a beret flash and background trimming are authorized for wear by members of the 982d Signal Company.
2. The descriptions of the designs are as follows:

BERET FLASH

An orange shield-shaped embroidered item with a semi-circular base 2 1/4 inches (5.72 cm) in height and 1 7/8 inches (4.76 cm) in width overall, divided diagonally from upper left to lower right by a 3/4 inch (1.91 cm) blue stripe trimmed with a 1/16 inch (.16 cm) white stripe, with a white lightning bolt diagonally centered on the blue stripe; all within a 1/8 inch (.32 cm) blue border.

BACKGROUND TRIMMING

An orange oval-shaped embroidered item 1 3/8 inches (3.49 cm) in height and 2 1/4 inches (5.72 cm) in width overall, divided diagonally from upper left to lower right by a 1/8 inch (.32 cm) blue stripe trimmed with a 1/16 inch (.16 cm) white stripe; all within a 1/8 inch (.32 cm) blue border.

CABLE NUMBERS OF COLORS

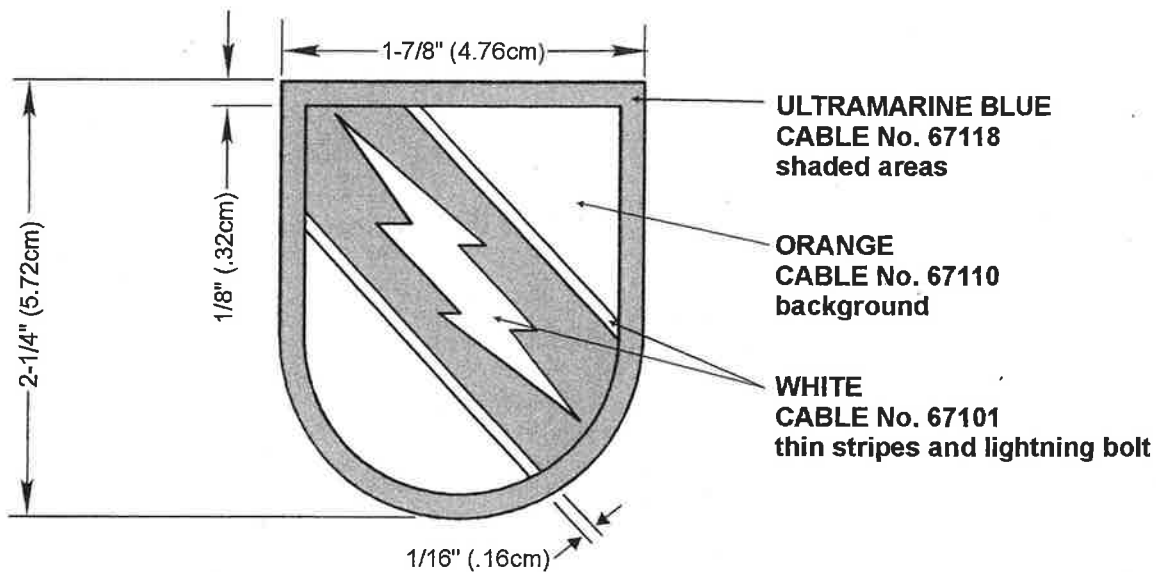
| | |
|------------------|--------|
| Ultramarine Blue | #67118 |
| Orange | #67110 |
| White | #67101 |

3. This authorization does not grant exclusive use of the above colors and pattern design for the 982d Signal Company.

CHARLES V. MUGNO
Director

CF: CMH

| REVISIONS | | | |
|-----------|-------------|------|----------|
| LTR | DESCRIPTION | DATE | APPROVED |



DESIGNED FOR OVEREDGE STITCHING

UNLESS OTHERWISE SPECIFIED DIMENSIONS ARE IN INCHES TOLERANCES ON FRACTIONS DECIMALS ANGLES

MATERIALS:
TO BE MANUFACTURED IN ACCORDANCE WITH MIL-DTL-14652

| | | |
|----------|------------|------------|
| EXAMINED | <i>TLC</i> | |
| CHECKED | <i>CA</i> | <i>SAD</i> |
| PREPARED | <i>EOM</i> | |

APPROVED
Charles V. Mugno
CHARLES V. MUGNO
DIRECTOR

THE INSTITUTE OF HERALDRY, DEPARTMENT OF THE ARMY
9325 GUNSTON RD, RM S-113 FORT BELVOIR, VA 22060-5579

BERET FLASH FOR

982D SIGNAL COMPANY

SIZE CONTROL IDENT. NO
A 22571

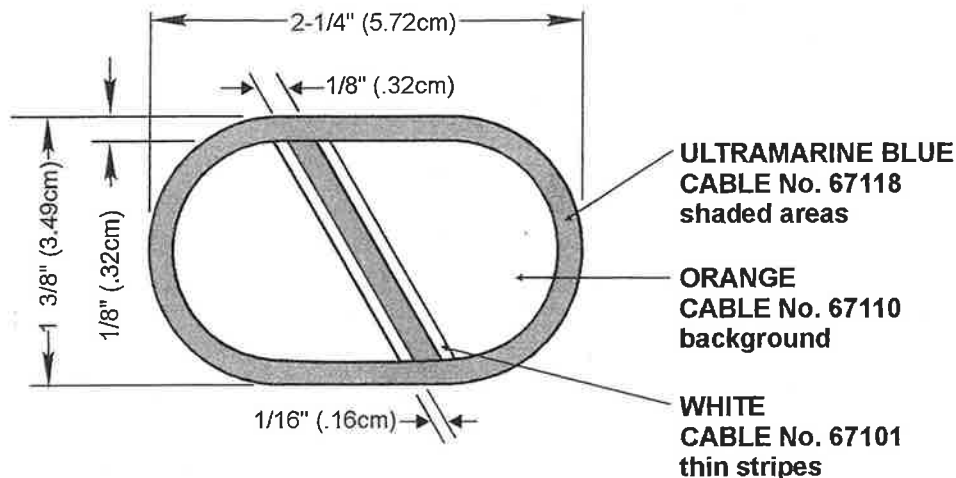
A-4-305

SCALE FULL DATE

18 APRIL 2016

REVISIONS

| LTR | DESCRIPTION | DATE | APPROVED |
|-----|-------------|------|----------|
|-----|-------------|------|----------|



DESIGNED FOR OVEREDGE STITCHING

UNLESS OTHERWISE SPECIFIED DIMENSIONS ARE IN INCHES TOLERANCES ON FRACTIONS DECIMALS ANGLES

MATERIALS:
TO BE MANUFACTURED IN ACCORDANCE WITH MIL-DTL-14652

| | | |
|----------|-----|-----|
| EXAMINED | TZ | |
| CHECKED | CA | Soo |
| PREPARED | EOM | |

APPROVED
Charles V. Mugno
CHARLES V. MUGNO
DIRECTOR

THE INSTITUTE OF HERALDRY, DEPARTMENT OF THE ARMY
9325 GUNSTON RD, RM S-113 FORT BELVOIR, VA 22060-5579

BACKGROUND TRIMMING FOR

982D SIGNAL COMPANY

SIZE CONTROL IDENT. NO
A 22571

A-6-332

SCALE FULL DATE

05 APRIL 2016



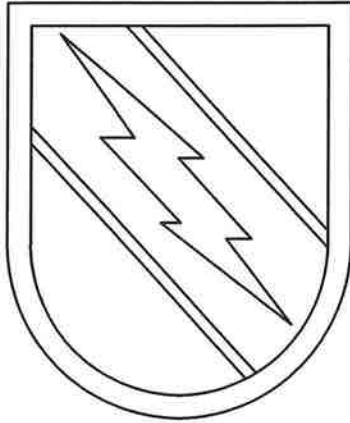


FLASH

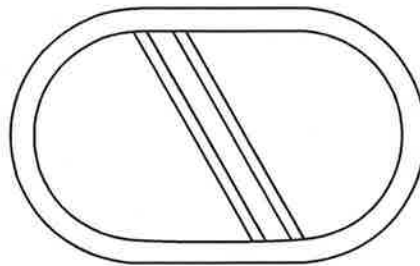


TRIM

FLASH and TRIM
982D SIGNAL COMPANY



FLASH



TRIM

**FLASH and TRIM
982D SIGNAL COMPANY**