



REPLY TO
ATTENTION OF

DEPARTMENT OF THE ARMY
THE INSTITUTE OF HERALDRY
9325 GUNSTON ROAD, ROOM S112
FORT BELVOIR, VIRGINIA 22060-5579

SEP 15 2016

AAMH-IHS (840-10a)

MEMORANDUM FOR Commander, 65th Military Police Company, ATTN: 1SG Dukes,
Fort Bragg, NC 28310

SUBJECT: Beret Flash and Background Trimming for the 65th Military Police Company

1. The beret flash for the 65th Military Police Company has been revised as requested and forwarded for your organizational records is the amended authorization letter (encl 1). Also enclosed are the revised manufacturing drawing (A-4-309) and color print with black and white line drawing (encls 2 and 3).

2. POC this Institute is Mrs. Henning by telephone at DSN 656-4972, Commercial (703) 806-4972 or by email at bonnie.s.henning.civ@mail.mil.

3 Encls
as


CHARLES V. MUGNO
Director



REPLY TO
ATTENTION OF

DEPARTMENT OF THE ARMY
THE INSTITUTE OF HERALDRY
9325 GUNSTON ROAD, ROOM S112
FORT BELVOIR, VIRGINIA 22060-5579

SEP 15 2016

AAMH-IHS (840-10a)

MEMORANDUM FOR Commander, 65th Military Police Company, ATTN: 1SG Dukes,
Fort Bragg, NC 28310

SUBJECT: Beret Flash and Background Trimming for the 65th Military Police Company

1. The beret flash and background trimming amended this date to change the description of the flash and update the description of the trimming, was originally approved by letter AAMH-IHS, The Institute of Heraldry, 2 September 2016.

2. The descriptions of the designs are as follows:

BERET FLASH

A shield-shaped embroidered item with a semi-circular base 2 1/4 inches (5.72 cm) in height and 1 7/8 inches (4.76 cm) in width overall, divided diagonally from upper left to lower right, green over yellow; all within a 1/8 inch (.32 cm) green border.

BACKGROUND TRIMMING

An oval-shaped embroidered item 1 3/8 inches (3.49 cm) in height and 2 1/4 inches (5.72 cm) in width overall, divided diagonally from upper left to lower right, green over yellow; all within a 1/8 inch (.32 cm) green border.

CABLE NUMBERS OF COLORS

Yellow	#67108
Green	#67129

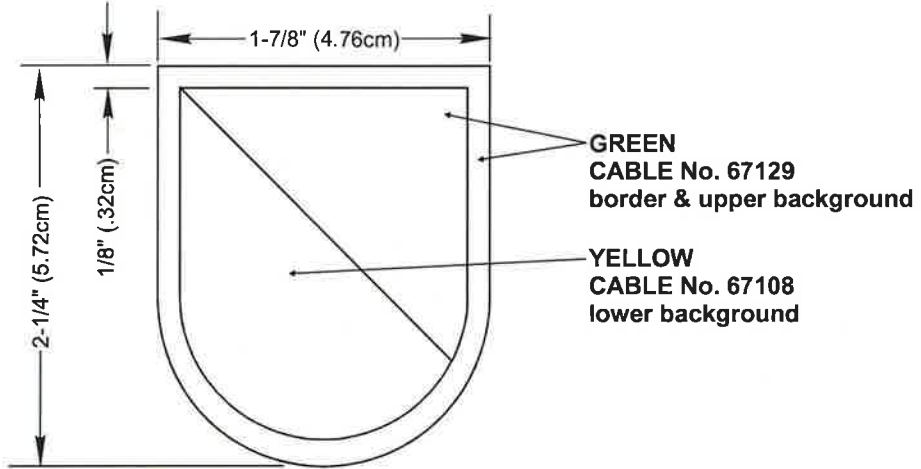
3. This authorization does not grant exclusive use of the above colors and pattern design for the 65th Military Police Company.


CHARLES V. MUGNO
Director

CF: CMH

REVISIONS


LTR	DESCRIPTION	DATE	APPROVED
-----	-------------	------	----------



DESIGNED FOR OVEREDGE STITCHING

UNLESS OTHERWISE SPECIFIED DIMENSIONS ARE IN INCHES TOLERANCES ON FRACTIONS DECIMALS ANGLES

MATERIALS:
TO BE MANUFACTURED IN ACCORDANCE WITH MIL-DTL-14652

EXAMINED	TLC	
CHECKED	CA	500
PREPARED	CLH	
APPROVED	 CHARLES V. MUGNO DIRECTOR	

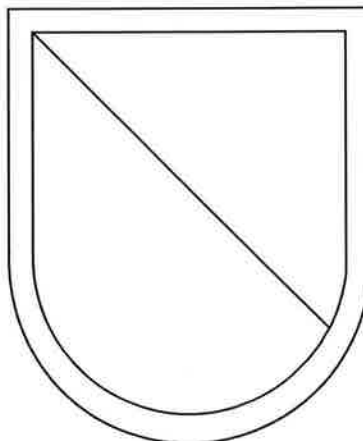
THE INSTITUTE OF HERALDRY, DEPARTMENT OF THE ARMY
9325 GUNSTON RD, RM S-113 FORT BELVOIR, VA 22060-5579

BERET FLASH FOR
65TH MILITARY POLICE COMPANY (ABN)

SIZE	CONTROL IDENT. NO	A-4-309
A	22571	
SCALE	FULL	DATE
		16 AUGUST 2016



COLOR



LINE

***FLASH
65TH MILITARY POLICE COMPANY (ABN)***