



REPLY TO
ATTENTION OF

DEPARTMENT OF THE ARMY
THE INSTITUTE OF HERALDRY
9325 GUNSTON ROAD, ROOM S112
FORT BELVOIR, VIRGINIA 22060-5579

AAMH-IHS (840-10a)

MAY 05 2016

MEMORANDUM FOR Commander, 383d Quartermaster Detachment, Fort Bragg, NC
28310

SUBJECT: Beret Flash and Background Trimming for the 383d Quartermaster
Detachment

1. The authorization letter for the beret flash and background trimming has been revised to allow for a 1/8 inch outer border which is required for overedge stitching and the amended letter is at enclosure 1.
2. Also enclosed for use in procurement of the items are:
 - a. Revised manufacturing drawings for the flash and trimming (TIOH Dwg. No. A-4-304 and A-6-331) (encls 2 and 3).
 - b. Revised color prints of the flash and trimming (encl 4).
3. POC this Institute is Mrs. Henning by telephone at DSN 656-4972, Commercial (703) 806-4972 or by email at bonnie.s.henning.civ@mail.mil.

4 Encls
as


CHARLES V. MUGNO
Director



REPLY TO
ATTENTION OF

DEPARTMENT OF THE ARMY

THE INSTITUTE OF HERALDRY
9325 GUNSTON ROAD, ROOM S112
FORT BELVOIR, VIRGINIA 22060-5579

AAMH-IHS (840-10a)

MAY 05 2016

MEMORANDUM FOR Commander, 383d Quartermaster Detachment, Fort Bragg, NC
28310

SUBJECT: Beret Flash and Background Trimming for the 383d Quartermaster
Detachment

1. The beret flash and background trimming amended this date to correct the description, was **originally authorized** for wear by members of the 383d Quartermaster Detachment by letter AAMH-IHS, The Institute of Heraldry, 7 March 2016.
2. The descriptions of the designs are as follows:

BERET FLASH

A shield-shaped embroidered item with a semi-circular base 2 1/4 inches (5.72 cm) in height and 1 7/8 inches (4.76 cm) in width overall, divided diagonally from upper right to lower left dark gray over light gray by two 1/8 inch (.32 cm) diagonal stripes black over dark orange; all within a 1/16 inch (.16 cm) maroon inner border and 1/8 inch (.32 cm) black outer border.

BACKGROUND TRIMMING

An oval-shaped embroidered item 1 3/8 inches (3.49 cm) in height and 2 1/4 inches (5.72 cm) in width overall, divided diagonally from upper right to lower left dark gray over light gray by two 1/8 inch (.32 cm) diagonal stripes black over dark orange; all within a 1/16 inch (.16 cm) maroon inner border and 1/8 inch (.32 cm) black outer border.

CABLE NUMBERS OF COLORS

Black	#67138
Grebe Gray	#67200
Maroon	#67114
Burnt Orange	#67149
Silver Gray	#67137

AAMH-IHS (840-10a)

SUBJECT: Beret Flash and Background Trimming for the 383d Quartermaster Detachment

3. This authorization does not grant exclusive use of the above colors and pattern design for the 383d Quartermaster Detachment.

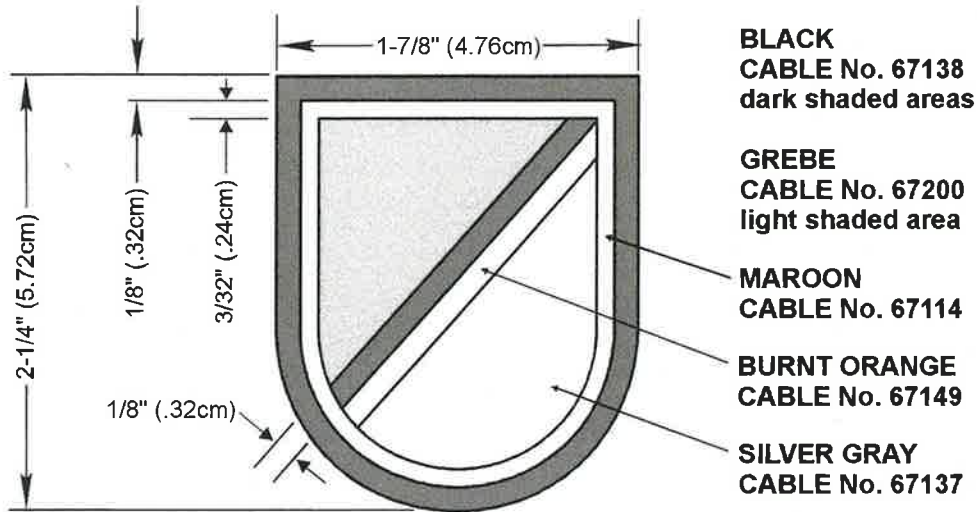


CHARLES V. MUGNO
Director

CF: CMH

REVISIONS

LTR	DESCRIPTION	DATE	APPROVED
-----	-------------	------	----------

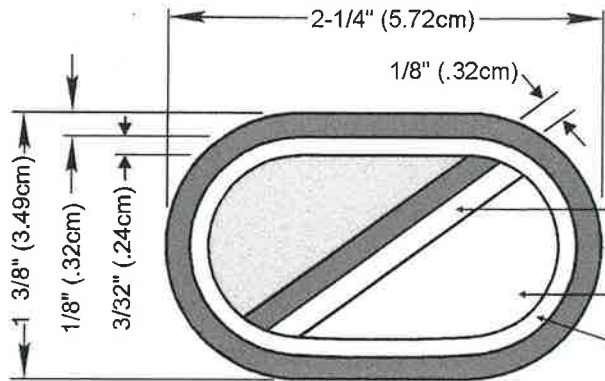


DESIGNED FOR OVEREDGE STITCHING

UNLESS OTHERWISE SPECIFIED DIMENSIONS ARE IN INCHES TOLERANCES ON FRACTIONS DECIMALS ANGLES	EXAMINED <i>TCC</i>		THE INSTITUTE OF HERALDRY, DEPARTMENT OF THE ARMY 9325 GUNSTON RD, RM S-113 FORT BELVOIR, VA 22060-5579		
	CHECKED <i>CA</i>	<i>500</i>	BERET FLASH FOR 383D QUARTERMASTER DETACHMENT		
MATERIALS: TO BE MANUFACTURED IN ACCORDANCE WITH MIL-DTL-14652	PREPARED <i>EOM</i>				
	APPROVED <i>Charles V. Mugno</i> CHARLES V. MUGNO DIRECTOR		SCALE FULL	DATE	2 MAY 2016

REVISIONS

LTR	DESCRIPTION	DATE	APPROVED
-----	-------------	------	----------



BLACK
CABLE No. 67138
dark shaded areas

GREBE
CABLE No. 67200
light shaded area

BURNT ORANGE
CABLE No. 67149

SILVER GRAY
CABLE No. 67137

MAROON
CABLE No. 67114

DESIGNED FOR OVEREDGE STITCHING

UNLESS OTHERWISE SPECIFIED DIMENSIONS ARE IN INCHES TOLERANCES ON FRACTIONS DECIMALS ANGLES

MATERIALS:
TO BE MANUFACTURED IN ACCORDANCE WITH MIL-DTL-14652

EXAMINED		
CHECKED	<i>CA</i>	<i>500</i>
PREPARED	<i>EOM</i>	
APPROVED	<i>Charles V. Mugno</i>	
	CHARLES V. MUGNO DIRECTOR	

THE INSTITUTE OF HERALDRY, DEPARTMENT OF THE ARMY
9325 GUNSTON RD, RM S-113 FORT BELVOIR, VA 22060-5579

BACKGROUND TRIMMING FOR

**383D QUARTERMASTER
DETACHMENT**

SIZE CONTROL IDENT. NO

A 22571

A-6-331

SCALE FULL DATE

2 MAY 2016



FLASH



TRIM

***FLASH and TRIM
383D QUARTERMASTER DETACHMENT***