



REPLY TO
ATTENTION OF

DEPARTMENT OF THE ARMY
THE INSTITUTE OF HERALDRY
9325 GUNSTON ROAD, ROOM S112
FORT BELVOIR, VIRGINIA 22060-5579

AAMH-IHS (840-10a)

JUL 19 2016

MEMORANDUM FOR Commander, 21st Military Police Company, ATTN: 1SG Newby,
Fort Bragg, NC 28310

SUBJECT: Beret Flash and Background Trimming for the 21st Military Police Company

1. The request for a beret flash and background trimming for the 21st Military Police Company is approved. Forwarded for your organizational records is the authorization letter (encl 1).
2. Also enclosed for use in procurement of the items are:
 - a. Manufacturing drawings for the flash and trimming (TIOH Dwg. No. A-4-307 and A-6-334) (encls 2 and 3).
 - b. Color prints and black and white line drawings of the flash and trimming (encls 4 and 5).
 - c. A list of certified manufacturers and procedures for local procurement of insignia (encls 6 and 7).
3. POC this Institute is Mrs. Henning by telephone at DSN 656-4972, Commercial (703) 806-4972 or by email at bonnie.s.henning.civ@mail.mil.

7 Encls
as

MUGNO.CHARLES.V.1020
723374
CHARLES V. MUGNO
Director

Digitally signed by MUGNO.CHARLES.V.1020723374
DN: c=US, o=U.S. Government, ou=DoD, ou=PKI,
ou=USA, cn=MUGNO.CHARLES.V.1020723374
Date: 2016.07.19 16:56:02 -0400



REPLY TO
ATTENTION OF

DEPARTMENT OF THE ARMY
THE INSTITUTE OF HERALDRY
9325 GUNSTON ROAD, ROOM S112
FORT BELVOIR, VIRGINIA 22060-5579

AAMH-IHS (840-10a)

JUL 19 2016

MEMORANDUM FOR Commander, 21st Military Police Company, ATTN: 1SG Newby,
Fort Bragg, NC 28310

SUBJECT: Beret Flash and Background Trimming for the 21st Military Police Company

1. In accordance with the provisions of AR-670-1, a beret flash and background trimming are authorized for wear by members of the 21st Military Police Company.
2. The descriptions of the designs are as follows:

BERET FLASH

A black shield-shaped embroidered item with a semi-circular base 2 1/4 inches (5.72 cm) in height and 1 7/8 inches (4.76 cm) in width overall, containing a 1 inch (2.54 cm) maroon lozenge edged green, divided by a blue horizontal line; all with a 1/8 inch (.32 cm) green inner border and a 1/8 inch (.32 cm) yellow outer border.

BACKGROUND TRIMMING

A black oval-shaped embroidered item 1 3/8 inches (3.49 cm) in height and 2 1/4 inches (5.72 cm) in width overall, containing a 1 inch (2.54 cm) maroon lozenge edged green, divided by a blue horizontal line; all with a 1/8 inch (.32 cm) green inner border and a 1/8 inch (.32 cm) yellow outer border.

CABLE NUMBERS OF COLORS

Black	#67138
Yellow	#67108
Green	#67129
Maroon	#67114
Ultramarine Blue	#67118

AAMH-IHS (840-10a)

SUBJECT: Beret Flash and Background Trimming for the 21st Military Police Company

3. This authorization does not grant exclusive use of the above colors and pattern design for the 21st Military Police Company.

**MUGNO.CHARLES.V.10207
23374**

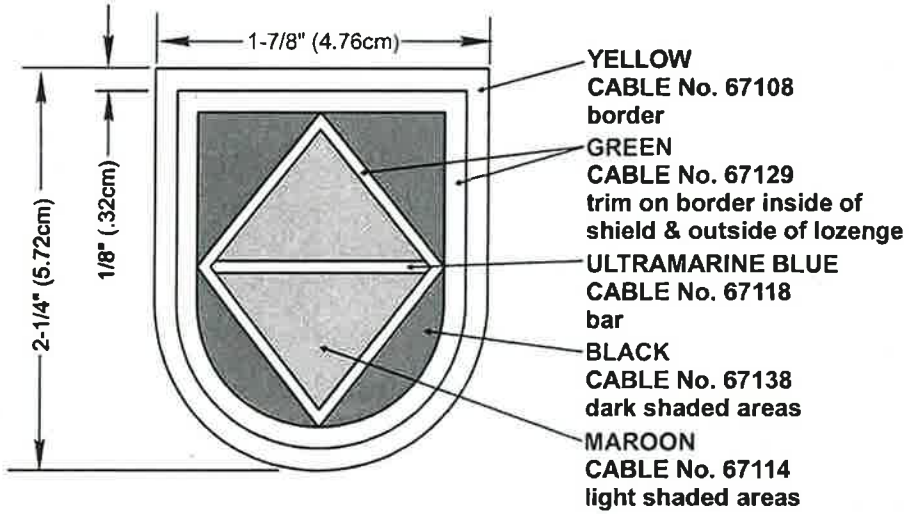
Digitally signed by MUGNO.CHARLES.V.1020723374
DN: c=US, o=U S. Government, ou=DoD, ou=PKI,
ou=USA, cn=MUGNO.CHARLES V.1020723374
Date: 2016.07.19 16:56:23 -04'00'

**CHARLES V. MUGNO
Director**

CF: CMH

REVISIONS

LTR	DESCRIPTION	DATE	APPROVED
-----	-------------	------	----------



DESIGNED FOR OVEREDGE STITCHING

UNLESS OTHERWISE
 SPECIFIED DIMENSIONS
 ARE IN INCHES
 TOLERANCES ON
 FRACTIONS DECIMALS
 ANGLES

MATERIALS:
 TO BE MANUFACTURED
 IN ACCORDANCE WITH
 MIL-DTL-14652

EXAMINED	<i>Soo</i>
CHECKED	<i>CD</i>
PREPARED	<i>CLH</i>
APPROVED	

APPROVED
 MUGNO.CHARLES.V.
 1020723374
Digitally signed by
 MUGNO CHARLES V 1020723374
 DN: c=US, ou=U.S. Government, ou=DAAG, ou=HP,
 ou=USA, email=MUGNO.CHARLES.V.1020723374,
 Date: 2016.07.18 16:56:31 -0400
CHARLES V. MUGNO
 DIRECTOR

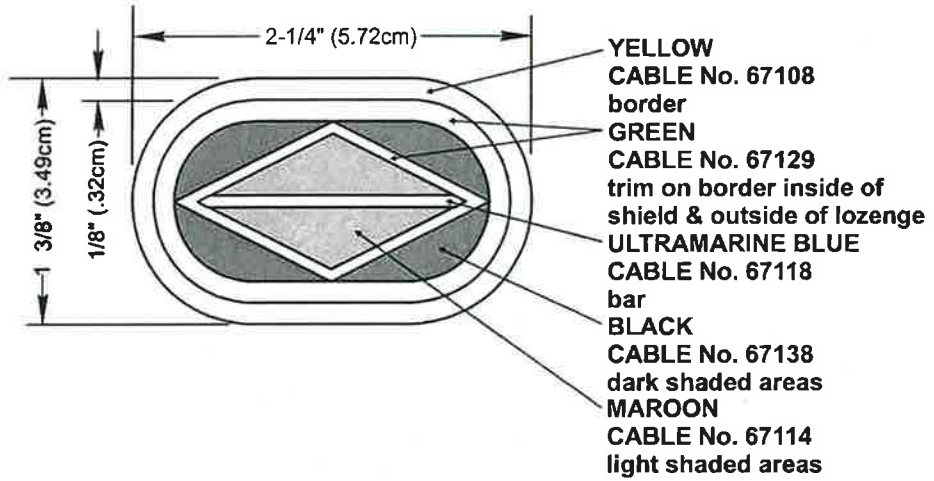
THE INSTITUTE OF HERALDRY, DEPARTMENT OF THE ARMY
 9325 GUNSTON RD, RM S-113 FORT BELVOIR, VA 22060-5579

BERET FLASH FOR
21ST MILITARY POLICE COMPANY

SIZE	CONTROL IDENT. NO	A-4-307
A	22571	
SCALE	FULL	DATE
		12 JULY 2016

REVISIONS

LTR	DESCRIPTION	DATE	APPROVED
-----	-------------	------	----------



DESIGNED FOR OVEREDGE STITCHING

UNLESS OTHERWISE SPECIFIED DIMENSIONS ARE IN INCHES TOLERANCES ON FRACTIONS DECIMALS ANGLES

EXAMINED	<i>SAO</i>
CHECKED	<i>CA</i>
PREPARED	<i>CLH III</i>

THE INSTITUTE OF HERALDRY, DEPARTMENT OF THE ARMY
9325 GUNSTON RD, RM S-113 FORT BELVOIR, VA 22060-5579

BACKGROUND TRIMMING FOR

21ST MILITARY POLICE COMPANY

MATERIALS:
TO BE MANUFACTURED IN ACCORDANCE WITH MIL-DTL-14652

APPROVED
 MUGNO, CHARLES V. 102
 0723374

CHARLES V. MUGNO
 DIRECTOR

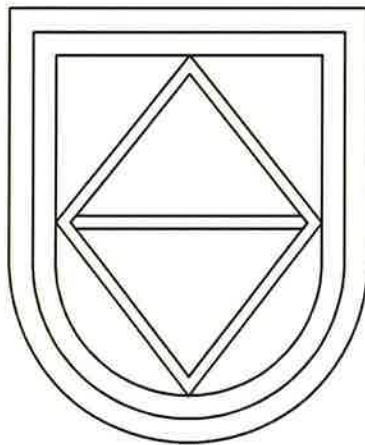
SIZE CONTROL IDENT. NO
A 22571

A-6-334

SCALE FULL DATE **12 JULY 2016**



COLOR

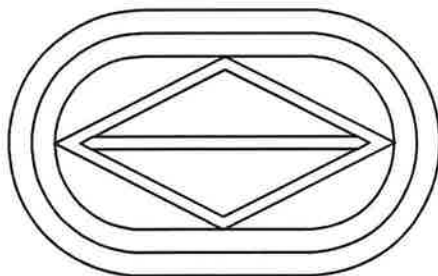


LINE

FLASH
21ST MILITARY POLICE COMPANY



COLOR



LINE

**BACKGROUND TRIMMING
21ST MILITARY POLICE COMPANY**