



REPLY TO  
ATTENTION OF

DEPARTMENT OF THE ARMY  
THE INSTITUTE OF HERALDRY  
9325 GUNSTON ROAD, ROOM 8112  
FORT BELVOIR, VIRGINIA 22060-5579

MAR 14 2016

AAHS-IHS (840-10a)

MEMORANDUM FOR Commander, 3rd Special Troops Battalion, ATTN: 2LT Caleb Bryant, 6911 30th Street, Fort Campbell, KY 42223

SUBJECT: Background Trimming for the 21st Engineer Battalion

1. In accordance with the provisions of AR-670-1, a background trimming is authorized for wear by members of the 21st Engineer Battalion.
2. The description of the design is as follows:

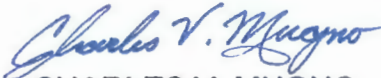
#### BACKGROUND TRIMMING

A scarlet oval-shaped embroidered item 1 3/8 inches (3.49 cm) in height and 2 1/4 inches (5.72 cm) in width overall, divided diagonally from upper left to lower right by a 1/4 inch (.64 cm) white stripe flanked by a pair of yellow stripes 1/8 inch (.32 cm) in width; all within a 1/8 inch (.32 cm) yellow border.

#### CABLE NUMBERS OF COLORS

Yellow	#67108
White	#67101
Scarlet	#67111

3. This authorization does not grant exclusive use of the above colors and pattern design for the 21st Engineer Battalion.

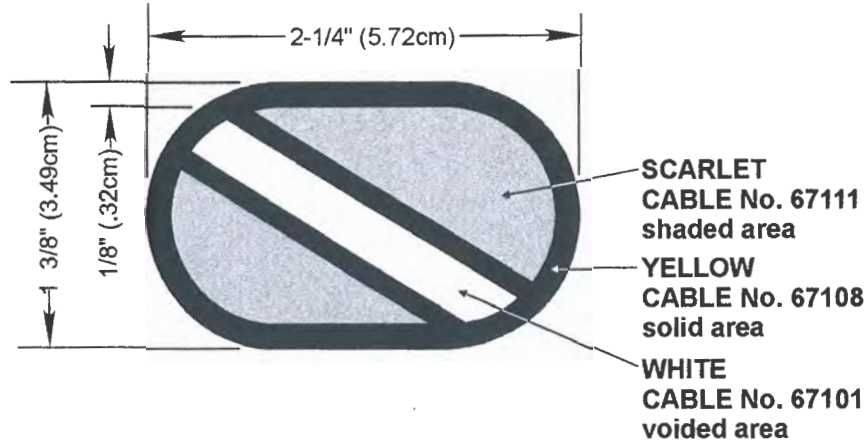
  
CHARLES V. MUGNO  
Director

CF: CMH

Enc 1

REVISIONS

LTR	DESCRIPTION	DATE	APPROVED
-----	-------------	------	----------



**DESIGNED FOR OVEREDGE STITCHING**

UNLESS OTHERWISE SPECIFIED DIMENSIONS ARE IN INCHES TOLERANCES ON FRACTIONS DECIMALS ANGLES	THE INSTITUTE OF HERALDRY, DEPARTMENT OF THE ARMY 9325 GUNSTON RD, RM S-113 FORT BELVOIR, VA 22060-5579		
	EXAMINED	TC	
MATERIALS: TO BE MANUFACTURED IN ACCORDANCE WITH MIL-DTL-14652	CHECKED	JM	SD
	PREPARED	CLH	
	APPROVED	 CHARLES V. MUGNO DIRECTOR	
BACKGROUND TRIMMING FOR		SIZE	CONTROL IDENT. NO
<b>21ST ENGINEER BATTALION</b>		<b>A</b>	<b>22571</b>
		<b>A-6-316</b>	
SCALE		DATE	
FULL		5 MARCH 2014	

