



REPLY TO
ATTENTION OF

DEPARTMENT OF THE ARMY
THE INSTITUTE OF HERALDRY
9325 GUNSTON ROAD, ROOM 9112
FORT BELVOIR, VIRGINIA 22060-5579

JUN 07 2016

AAMH-IHS (840-10a)

MEMORANDUM FOR Commander, 108th Military Police Company, Fort Bragg, NC
28310

SUBJECT: Beret Flash and Background Trimming for the 108th Military Police
Company

1. The request for a beret flash and background trimming for the 108th Military Police Company is approved. Forwarded for your organizational records is the authorization letter (encl 1).
2. Also enclosed for use in procurement of the items are:
 - a. Manufacturing drawings for the flash and trimming (TIOH Dwg. No. A-4-306 and A-6-333) (encls 2 and 3).
 - b. Color prints and black and white line drawings of the flash and trimming (encls 4 and 5).
 - c. A list of certified manufacturers and procedures for local procurement of insignia (encls 6 and 7).
3. POC this Institute is Mrs. Henning by telephone at DSN 656-4972, Commercial (703) 806-4972 or by email at bonnie.s.henning.civ@mail.mil.

7 Encls
as

MUGNO.CHARLES.V.10
20723374

CHARLES V. MUGNO
Director

Digitally signed by MUGNO.CHARLES.V.1020723374
DN: cn=US, ou=U.S. Government, ou=DoD, ou=PKI,
ou=USA, cn=MUGNO.CHARLES.V.1020723374
Date: 2016.06.07 16:06:58 -04'00'



REPLY TO
ATTENTION OF

DEPARTMENT OF THE ARMY

THE INSTITUTE OF HERALDRY
9325 GUNSTON ROAD, ROOM S112
FORT BELVOIR, VIRGINIA 22060-5579

JUN 07 2016

AAMH-IHS (840-10a)

MEMORANDUM FOR Commander, 108th Military Police Company, Fort Bragg, NC
28310

SUBJECT: Beret Flash and Background Trimming for the 108th Military Police
Company

1. In accordance with the provisions of AR-670-1, a beret flash and background trimming are authorized for wear by members of the 108th Military Police Company.
2. The descriptions of the designs are as follows:

BERET FLASH

A green shield-shaped embroidered item with a semi-circular base 2 1/4 inches (5.72 cm) in height and 1 7/8 inches (4.76 cm) in width overall, divided diagonally from upper left to lower right by three 5/16 inch (.79 cm) diagonal stripes, cobalt blue between two black stripes; all within a 1/8 inch (.32 cm) yellow border.

BACKGROUND TRIMMING

A green oval-shaped embroidered item 1 3/8 inches (3.49 cm) in height and 2 1/4 inches (5.72 cm) in width overall, divided diagonally from upper left to lower right by three 5/16 inch (.79 cm) diagonal stripes, cobalt blue between two black stripes; all within a 1/8 inch (.32 cm) yellow border.

CABLE NUMBERS OF COLORS

Black	#67138
Yellow	#67108
Green	#67129
Cobalt Blue	#67122

AAMH-IHS (840-10a)

SUBJECT: Beret Flash and Background Trimming for the 108th Military Police Company

3. This authorization does not grant exclusive use of the above colors and pattern design for the 108th Military Police Company.

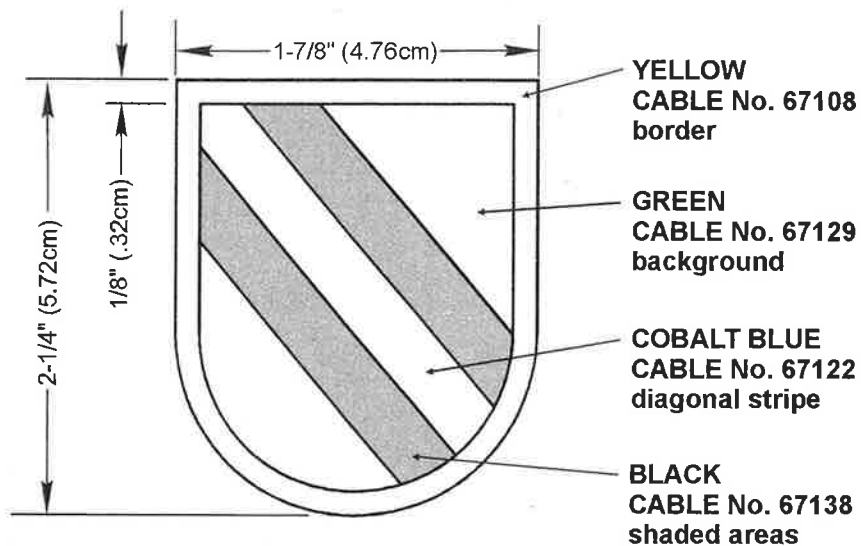
MUGNO.CHARLES.V. Digitally signed by MUGNO.CHARLES.V.1020723374
1020723374 DN: c=US, ou=U.S. Government, ou=D&O, ou=PMO,
ou=USA, cn=MUGNO.CHARLES.V.1020723374
Date: 2018.06.07 16:06:14 -0400

CHARLES V. MUGNO
Director

CF: CMH

REVISIONS

LTR	DESCRIPTION	DATE	APPROVED
-----	-------------	------	----------



DESIGNED FOR OVEREDGE STITCHING

UNLESS OTHERWISE SPECIFIED DIMENSIONS ARE IN INCHES TOLERANCES ON FRACTIONS DECIMALS ANGLES

EXAMINED	TTC	
CHECKED	CS	
PREPARED	EOM	

MATERIALS:
TO BE MANUFACTURED IN ACCORDANCE WITH MIL-DTL-14652

APPROVED

 CHARLES V. MUGNO
 DIRECTOR

THE INSTITUTE OF HERALDRY, DEPARTMENT OF THE ARMY
 9325 GUNSTON RD, RM S-113 FORT BELVOIR, VA 22060-5579

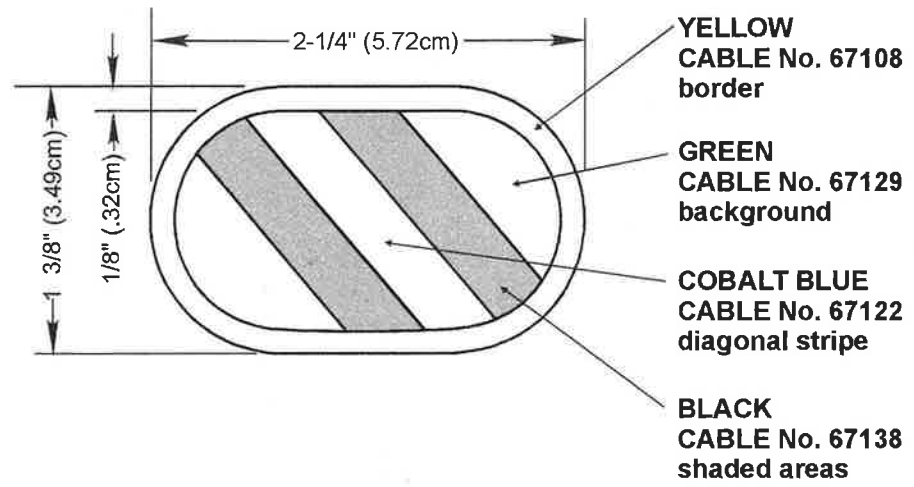
BERET FLASH FOR
**108TH MILITARY POLICE
 COMPANY**

SIZE	CONTROL IDENT. NO	A-4-306
A	22571	

SCALE	FULL	DATE	26 MAY 2016
-------	------	------	--------------------

REVISIONS

LTR	DESCRIPTION	DATE	APPROVED
-----	-------------	------	----------



DESIGNED FOR OVEREDGE STITCHING

UNLESS OTHERWISE SPECIFIED DIMENSIONS ARE IN INCHES TOLERANCES ON FRACTIONS DECIMALS ANGLES

MATERIALS:
TO BE MANUFACTURED IN ACCORDANCE WITH MIL-DTL-14652

EXAMINED	TLC
CHECKED	CS
PREPARED	EOM
APPROVED	<i>Charles V. Mugno</i>
CHARLES V. MUGNO DIRECTOR	

THE INSTITUTE OF HERALDRY, DEPARTMENT OF THE ARMY
9325 GUNSTON RD, RM S-113 FORT BELVOIR, VA 22060-5579

BACKGROUND TRIMMING FOR
108TH MILITARY POLICE COMPANY

SIZE	CONTROL IDENT. NO	A-6-333
A	22571	
SCALE	FULL	DATE
		26 MAY 2016

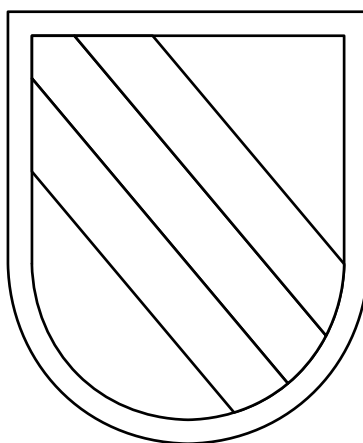


FLASH

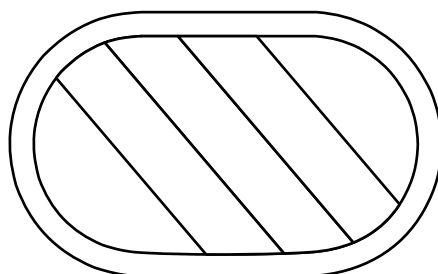


TRIM

FLASH and TRIM
108TH MILITARY POLICE COMPANY



FLASH



TRIM

***FLASH and TRIM
108TH MILITARY POLICE COMPANY***