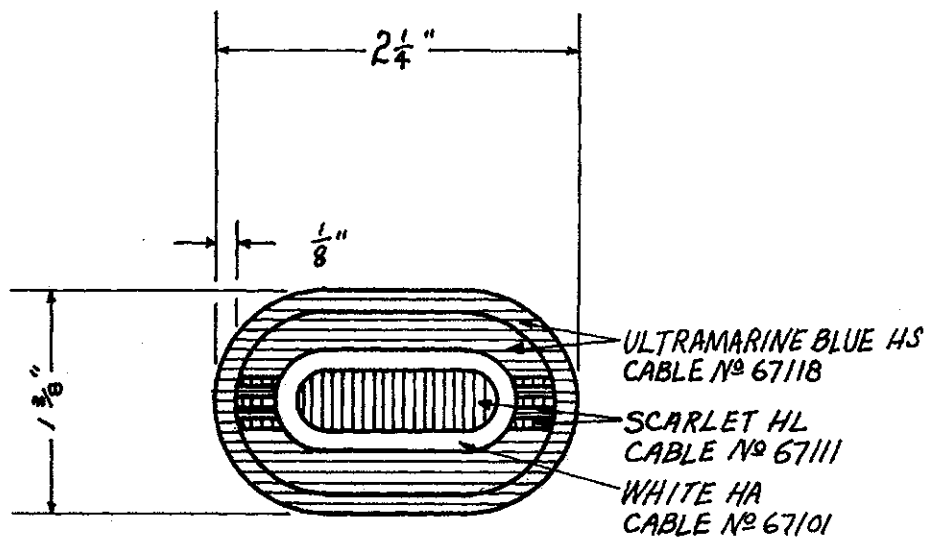




REVISIONS			
LTR	DESCRIPTION	DATE	APPROVED

D

D



C

C

DESIGNED FOR OVEREDGE STITCHING

B

B

UNLESS OTHERWISE SPECIFIED DIMENSIONS ARE IN INCHES  
TOLERANCES ON FRACTIONS DECIMALS ANGLES

EXAMINED	NP
CHECKED	JH
PREPARED	L.L.F.

THE INSTITUTE OF HERALDRY, U.S. ARMY  
CAMERON STATION, ALEXANDRIA, VA. 22304-5050

BACKGROUND TRIMMING FOR  
**3<sup>D</sup> BATTALION 187<sup>TH</sup> INFANTRY**

MATERIAL:

APPROVED  
*Gerald T. Luchino*  
GERALD T. LUCHINO, COLONEL, GS  
DIRECTOR

SIZE	CODE IDENT. NO.
A	22571
<b>A-6-37</b>	

SCALE FULL      DATE 29 FEBRUARY 1988

A

A

