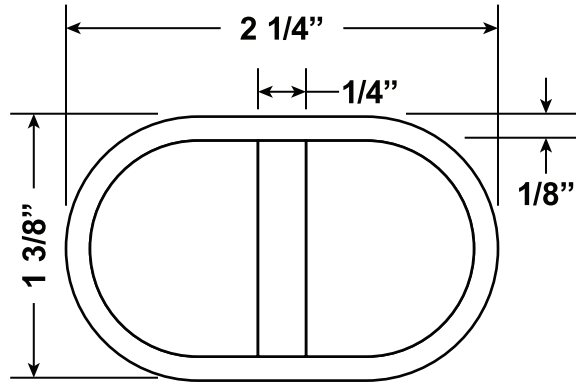
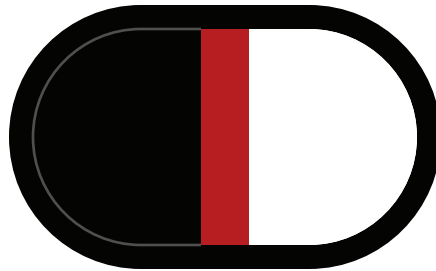


REVISIONS



**DESIGNED FOR
OVEREDGE STITCHING**



- White Cable No. 67101**
- Scarlet Cable No. 67111**
- Black Cable No. 67138**

PREPARED	SNP	THE INSTITUTE OF HERALDRY, DEPARTMENT OF THE ARMY	
EXAMINED	<i>Sao</i>	9325 GUNSTON RD, RM S-113 FORT BELVOIR, VA 22060-5579	
HDD CHIEF	AWW	BACKGROUND TRIMMING	
APPROVED	Digitally signed by MUGNO.CHARLES.V.10207 23374 Date: 2020.07.06 06:05:34 -04'00'	56TH QUARTERMASTER DETACHMENT	
MUGNO.CHARLES.V.102072337 4		SCALE FULL	DISTRIBUTION A. APPROVED FOR PUBLIC RELEASE
CHARLES V. MUGNO, DIRECTOR		MATERIALS: TO BE MANUFACTURED IN ACCORDANCE WITH MIL-DTL-14652	
		DATE:	6 JULY 2020