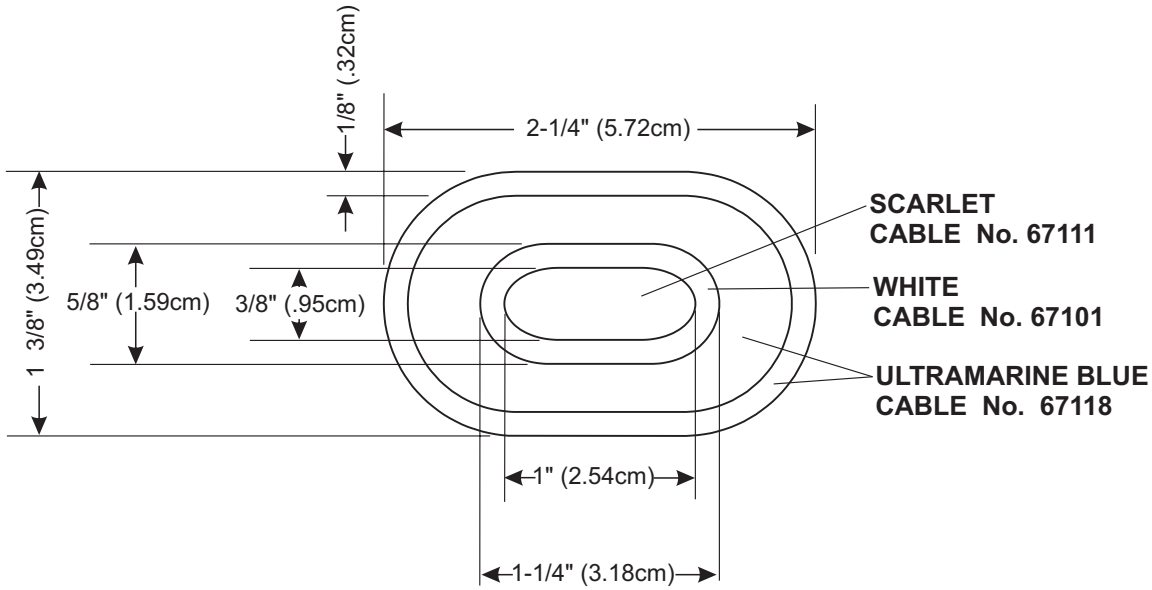


REVISIONS			
LTR	DESCRIPTION	DATE	APPROVED



DESIGNED FOR OVEREDGE STITCHING

SUPERSEDES TIOH DWG. No. A-6-28 DTD 29 FEBRUARY 1988

UNLESS OTHERWISE SPECIFIED DIMENSIONS ARE IN INCHES TOLERANCES ON FRACTIONS DECIMALS ANGLES	EXAMINED <i>SWH</i>		THE INSTITUTE OF HERALDRY, U.S. ARMY 9325 GUNSTON RD. S-112 FORT BELVOIR, VA 22060-5579	
	CHECKED JPS <i>pe</i>		BACKGROUND TRIMMING FOR HHC, 3D Bde.	
	PREPARED RR		101ST AIRBORNE DIV.	
	APPROVED <i>Fred N. Eichorn</i> FRED N. EICHORN DIRECTOR		SIZE A	CONTROL IDENT. NO 22571
MATERIALS: TO BE MANUFACTURED IN ACCORDANCE WITH MIL-DTL-14652		SCALE FULL	DATE 20 JUNE 2002	