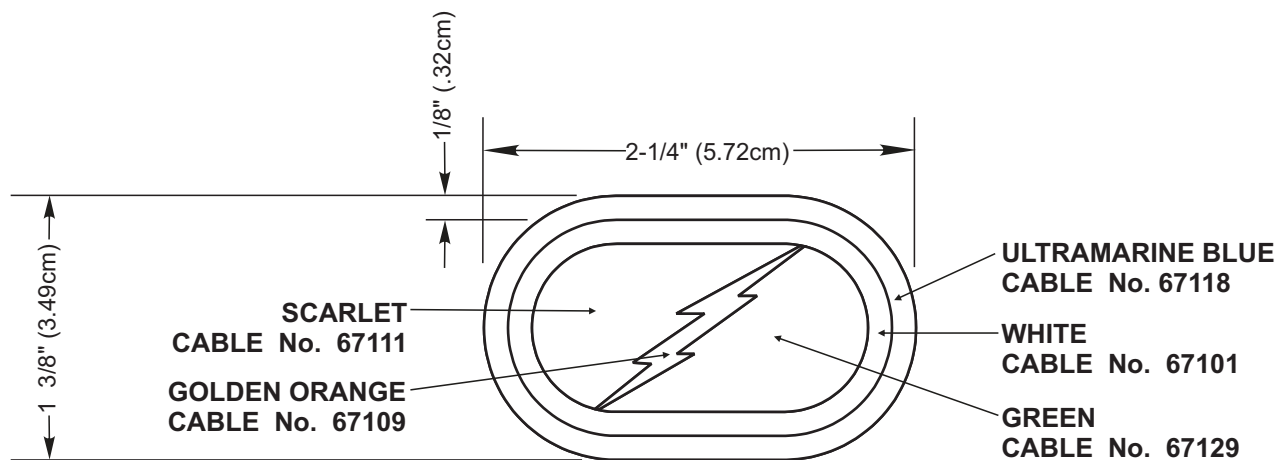


REVISIONS

LTR	DESCRIPTION	DATE	APPROVED
-----	-------------	------	----------



DESIGNED FOR OVEREDGE STITCHING

UNLESS OTHERWISE SPECIFIED DIMENSIONS ARE IN INCHES
TOLERANCES ON FRACTIONS DECIMALS ANGLES

EXAMINED	<i>SWH</i>	
CHECKED	pm	
PREPARED	EA	
APPROVED		

Charles V. Mugno
CHARLES V. MUGNO
DIRECTOR

THE INSTITUTE OF HERALDRY, DEPARTMENT OF THE ARMY
9325 GUNSTON RD, RM S-112 FORT BELVOIR, VA 22060-5579

BACKGROUND TRIMMING FOR
STB, 4TH BRIGADE COMBAT TEAM
101ST AIRBORNE DIVISION

SIZE	CONTROL IDENT. NO	
A	22571	A-6-260

SCALE	FULL	DATE	14 MAY 2007
-------	------	------	--------------------

MATERIALS:
TO BE MANUFACTURED IN ACCORDANCE WITH MIL-DTL-14652