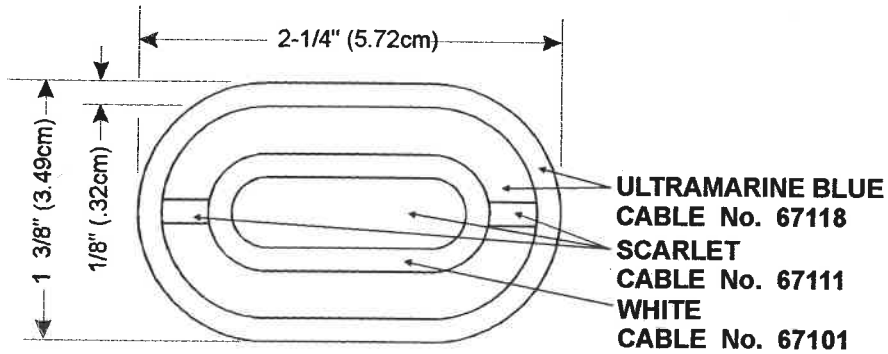


REVISIONS

LTR	DESCRIPTION	DATE	APPROVED
-----	-------------	------	----------



DESIGNED FOR OVEREDGE STITCHING

UNLESS OTHERWISE SPECIFIED DIMENSIONS ARE IN INCHES
TOLERANCES ON FRACTIONS DECIMALS ANGLES

MATERIALS:
TO BE MANUFACTURED IN ACCORDANCE WITH MIL-DTL-14652

EXAMINED	<i>[Signature]</i>
CHECKED	<i>[Signature]</i> <i>[Signature]</i>
PREPARED	CLH
APPROVED	<i>[Signature]</i> FRED N. EICHORN DIRECTOR

THE INSTITUTE OF HERALDRY, U.S. ARMY
9325 GUNSTON RD. S-112 FORT BELVOIR, VA 22060-5579

BACKGROUND TRIMMING FOR
1ST BN. 187TH INFANTRY

SIZE A	CONTROL IDENT. NO 22571	A-6-208
------------------	-----------------------------------	----------------

SCALE FULL DATE **19 JUNE 2002**

D
C
B
A