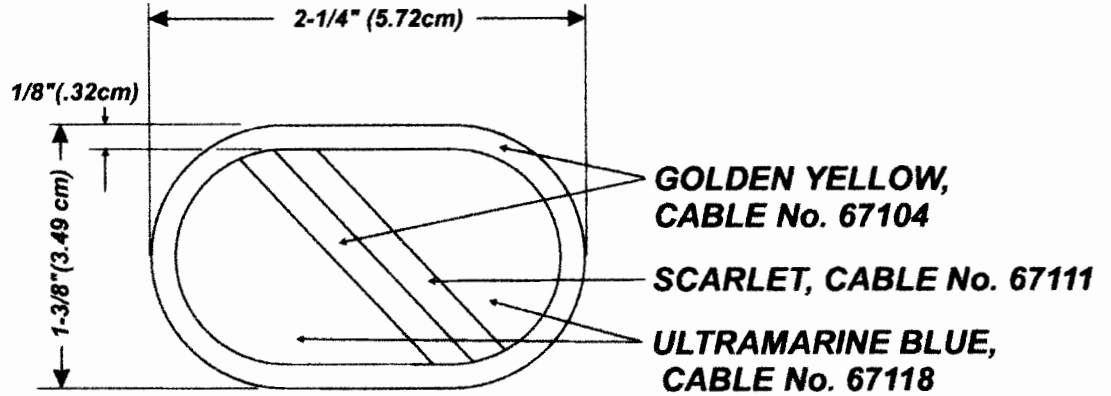


REVISIONS

LTR	DESCRIPTION	DATE	APPROVED
-----	-------------	------	----------



DESIGNED FOR OVEREDGE STITCHING

SUPERSEDES TIOH DWG No. A-6-190 DTD 5 NOVEMBER 1997

UNLESS OTHERWISE SPECIFIED DIMENSIONS ARE IN INCHES TOLERANCES ON FRACTIONS DECIMALS ANGLES

MATERIALS:
TO BE MANUFACTURED IN ACCORDANCE WITH MIL-1-14652

EXAMINED	<i>SWH</i>	
CHECKED	JM	<i>pr</i>
PREPARED	JM	
APPROVED	<i>Thomas B. Proffitt</i>	
	THOMAS B. PROFFITT DIRECTOR	

THE INSTITUTE OF HERALDRY, U.S. ARMY
9325 GUNSTON RD. S-112 FORT BELVOIR, VA 22060-5579

**BACKGROUND TRIMMING FOR
159TH AVIATION BRIGADE
(ASSUALT)**

SIZE	CONTROL IDENT. NO	A - 6 - 190
A	22571	

SCALE	FULL	DATE	22 JANUARY 1998
-------	------	------	-----------------