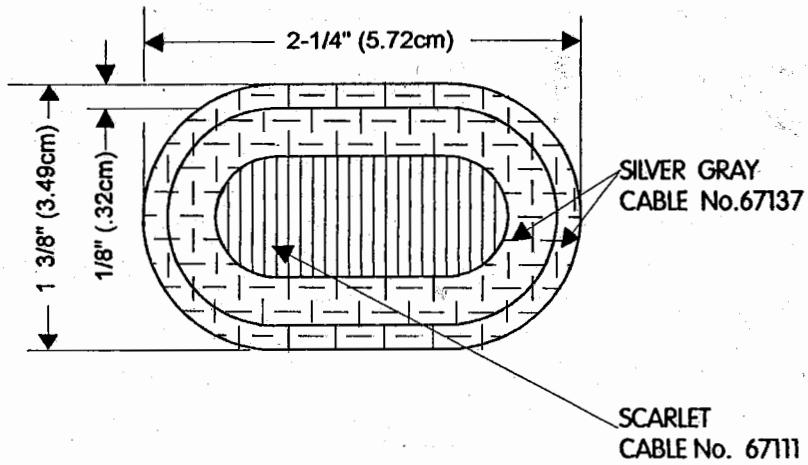




REVISIONS			
LTR	DESCRIPTION	DATE	APPROVED



DESIGNED FOR OVEREDGE STITCHING

D

C

B

A

UNLESS OTHERWISE SPECIFIED DIMENSIONS ARE IN INCHES  
TOLERANCES ON FRACTIONS DECIMALS ANGLES

MATERIALS:  
TO BE MANUFACTURED IN ACCORDANCE WITH MIL-I-14652

EXAMINED	SWP	
CHECKED	UMH	
PREPARED	C. J. H. W.	UMH

**THE INSTITUTE OF HERALDRY, U.S. ARMY**  
9325 GUNSTON RD. S-112 FORT BELVOIR, VA 22060-5579

*BACKGROUND TRIMMING FOR*  
**503<sup>d</sup> INFANTRY**

APPROVED  
*G.T. Luchino*  
GERALD T. LUCHINO, DIRECTOR

SIZE	CODE IDENT. NO.	
A	22571	<b>A-6-167</b>
SCALE FULL		DATE 9 JUNE 1994

