



REPLY TO  
ATTENTION OF

**DEPARTMENT OF THE ARMY**  
THE INSTITUTE OF HERALDRY  
9325 GUNSTON ROAD, ROOM S112  
FORT BELVOIR, VIRGINIA 22060-5579

NOV 10 2016

AAMH-IHS (840-10a)

MEMORANDUM FOR Commander, 1st Special Forces Command (Airborne), Fort Bragg, NC 28310-9110

SUBJECT: Beret Flash and Background Trimming for 1st Special Forces Command

1. Your request that the beret flash and background trimming of U.S. Army Special Forces Command be redesignated for 1st Special Forces Command has been approved as outlined in enclosure 1.
2. Also enclosed for use in procurement of the items are:
  - a. Manufacturing drawings for the flash and trimming (encls 2 and 3).
  - b. Color prints and line drawings of the flash and trimming (encls 4 and 5).
  - c. A list of certified manufacturers and procedures for local procurement of insignia (encls 6 and 7).
3. POC this Institute is Mrs. Henning, DSN 656-4972, Commercial (703) 806-4972 or by email at [bonnie.s.henning.civ@mail.mil](mailto:bonnie.s.henning.civ@mail.mil).

7 Encls  
as

MUGNO.CHARLES.V.  
1020723374

CHARLES V. MUGNO  
Director

Digitally signed by MUGNO.CHARLES.V.1020723374  
DN: cn=US, o=U.S. Government, ou=DoD, ou=PKI,  
ou=USA, cn=MUGNO.CHARLES.V.1020723374  
Date: 2016.11.10 07:46:22 -0500



REPLY TO  
ATTENTION OF

DEPARTMENT OF THE ARMY  
THE INSTITUTE OF HERALDRY  
9325 GUNSTON ROAD, ROOM S112  
FORT BELVOIR, VIRGINIA 22060-5579

NOV 10 2016

AAMH-IHS (840-10a)

MEMORANDUM FOR Commander, 1st Special Forces Command (Airborne), Fort Bragg, NC 28310-9110

SUBJECT: Beret Flash and Background Trimming for 1st Special Forces Command

1. The beret flash and background trimming redesignated effective this date for 1st Special Forces Command was **originally authorized** for the U.S. Army Special Forces Command (formerly designated as USA, 1st Special Operations Command) by letter TAPC-PDH-R, The Institute of Heraldry, 6 March 1995.

2. The descriptions of the designs are as follows:

**BERET FLASH**

A shield-shaped embroidered item with a semi-circular base, 2 1/4 inches (5.72 cm) in height and 1 7/8 inches (4.76 cm) in width overall consisting of a green background edged with a 1/8 inch (.32 cm) silver gray border.

**BACKGROUND TRIMMING**

An oval-shaped embroidered item 1 3/8 inches (3.49 cm) in height and 2 1/4 inches (5.72 cm) in width overall consisting of a green background edged with a 1/8 inch (.32 cm) silver gray border.

**CABLE NUMBERS OF COLORS**

Bottle (Jungle) Green #67191  
Silver Gray #67137

3. This authorization does not grant exclusive use of the above colors and pattern design for 1st Special Forces Command.

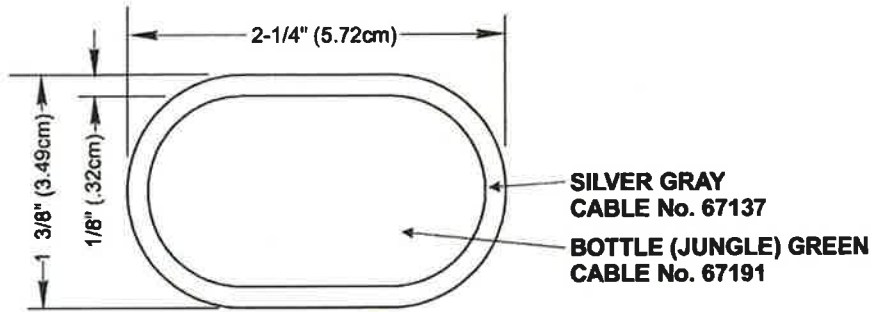
MUGNO.CHARLES.V. Digitally signed by  
MUGNO.CHARLES.V.1020723374  
1020723374 DN: c=US, o=U.S. Government, ou=DoD, ou=PKI,  
ou=USA, cn=MUGNO.CHARLES.V.1020723374  
Date: 2016.11.10 07:46:51 -05'00'  
CHARLES V. MUGNO  
Director

CF: CMH



**REVISIONS**

| LTR | DESCRIPTION | DATE | APPROVED |
|-----|-------------|------|----------|
|-----|-------------|------|----------|



**DESIGNED FOR OVEREDGE STITCHING**

**FORMERLY: U.S. ARMY SPECIAL FORCES COMMAND  
SUPERSEDES TIOH DWG. No. A-6-82 DTD 27 FEBRUARY 1995**

UNLESS OTHERWISE  
SPECIFIED DIMENSIONS  
ARE IN INCHES  
TOLERANCES ON  
FRACTIONS DECIMALS  
ANGLES

**MATERIALS:**  
TO BE MANUFACTURED  
IN ACCORDANCE WITH  
MIL-DTL-14652

|          |            |
|----------|------------|
| EXAMINED | <i>TCC</i> |
| CHECKED  | <i>SDE</i> |
| PREPARED | <i>CLH</i> |

APPROVED  
MUGNO.CHARLE  
S.V.1020723374  
Digitally signed by  
MUGNO.CHARLES.V.1020723374  
DN: cn=Charles V. Mugno, o=US Army, ou=DA, ou=PA,  
ou=USA, ou=MUGNO.CHARLES.V.1020723374  
Date: 2016.11.02 09:38:02Z  
CHARLES V. MUGNO  
DIRECTOR

**THE INSTITUTE OF HERALDRY, DEPARTMENT OF THE ARMY  
9325 GUNSTON RD, RM S-113 FORT BELVOIR, VA 22060-5579**

BACKGROUND TRIMMING FOR  
**1ST SPECIAL FORCES COMMAND**

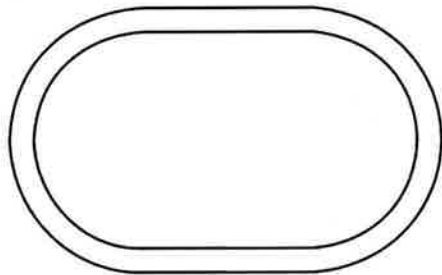
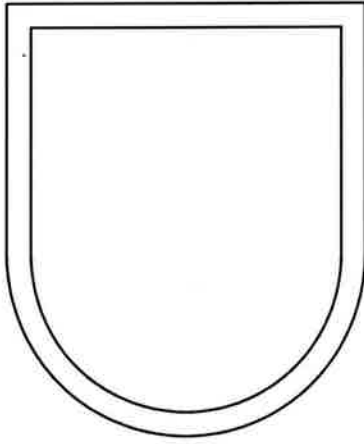
SIZE CONTROL IDENT. NO  
**A 22571**

**A-6-82**

SCALE FULL DATE **02 NOVEMBER 2016**



*FLASH and TRIM*  
**1ST SPECIAL FORCES COMMAND**



***FLASH and TRIM***  
***1ST SPECIAL FORCES COMMAND***