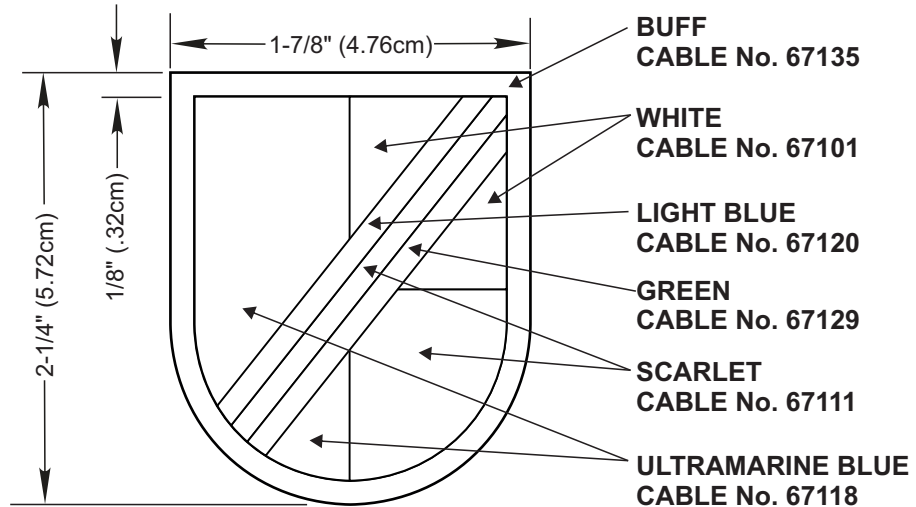



REVISIONS



DESIGNED FOR OVEREDGE STITCHING

EXAMINED	<i>TLC</i>	
CHECKED	<i>CA</i>	<i>SAO</i>
PREPARED	<i>AFW</i>	
APPROVED	 CHARLES V. MUGNO DIRECTOR	

THE INSTITUTE OF HERALDRY, DEPARTMENT OF THE ARMY
 9325 GUNSTON RD, RM S-113 FORT BELVOIR, VA 22060-5579

BERET FLASH FOR
**36TH QUARTERMASTER
 DETACHMENT**

SIZE	CONTROL IDENT. NO	A-4-323
A	22571	

MATERIALS: TO BE MANUFACTURED IN ACCORDANCE WITH MIL-DTL-14652	SCALE	DATE
	FULL	14 NOVEMBER 2018