



DEPARTMENT OF THE ARMY
THE INSTITUTE OF HERALDRY
9325 GUNSTON ROAD, ROOM S112
FORT BELVOIR, VIRGINIA 22060-5579

AAHS-IHS (840-10a)

29 August 2017

MEMORANDUM FOR Commander, 767th Ordnance Company, ATTN: 1SG Brie Kotula, BLDG M-7223 Transportation Street, Fort Bragg, NC 28310

SUBJECT: Beret Flash and Background Trimming for 767th Ordnance Company

1. The request for a beret flash and background trimming for 767th Company, is approved. Forwarded for your organizational records is the authorization letter (encl 1).
2. Also enclosed for use in procurement of the items are:
 - a. Manufacturing drawings for the flash and trimming (TIOH Dwg. No. A-4-313 and A-6-340) (encls 2 and 3).
 - b. Color prints and black and white line drawings of the flash and trimming (encls 4 and 5).
 - c. A list of certified manufacturers and procedures for local procurement of insignia (encls 6 and 7).
3. The POC is Mr. Keith Garrison at (703) 806-4972 or keith.a.garrison6.civ@mail.mil.

7 Encls
as

MUGNO.CHARLES.
V.1020723374
CHARLES V. MUGNO
Director

Digitally signed by
MUGNO.CHARLES.V.1020723374
DN: c=US, o=U.S. Government, ou=DoD, ou=PKI,
ou=USA, cn=MUGNO.CHARLES.V.1020723374
Date: 2017.08.29 12:00:53 -0400

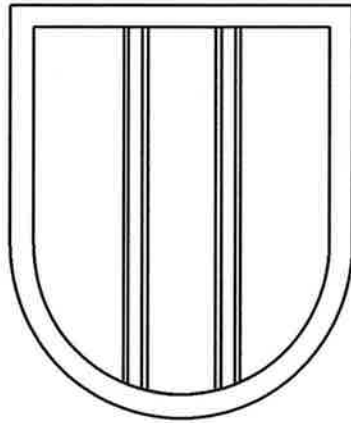


FLASH

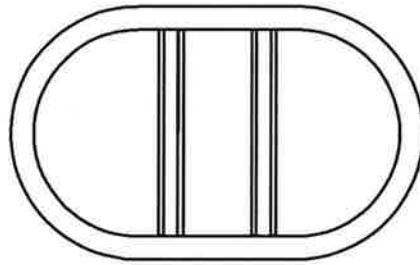


TRIM

***BERET FLASH and TRIM
767TH ORDNANCE COMPANY***



FLASH

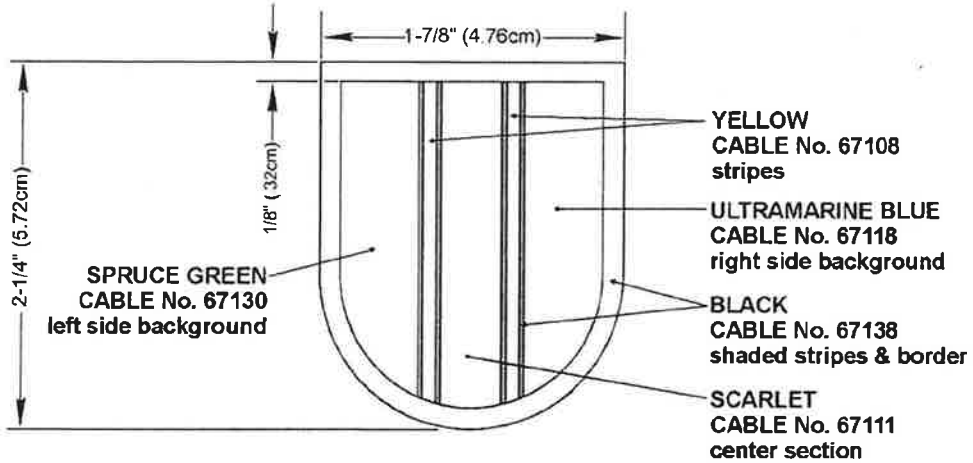


TRIM

BERET FLASH and TRI M
767 TH ORDNANCE COMP ANY

REVISIONS

LTR	DESCRIPTION	DATE	APPROVED
-----	-------------	------	----------



DESIGNED FOR OVEREDGE STITCHING

UNLESS OTHERWISE SPECIFIED DIMENSIONS ARE IN INCHES TOLERANCES ON FRACTIONS DECIMALS ANGLES

EXAMINED	<i>SAE</i>
CHECKED	<i>CA</i>
PREPARED	<i>CA/CLN</i>
APPROVED	

MUGNO CHARLES V 10207 23374

CHARLES V. MUGNO
DIRECTOR

THE INSTITUTE OF HERALDRY, DEPARTMENT OF THE ARMY
9325 GUNSTON RD, RM S-113 FORT BELVOIR, VA 22060-5579

BERET FLASH FOR

767TH ORDNANCE COMPANY

SIZE CONTROL IDENT. NO
A 22571

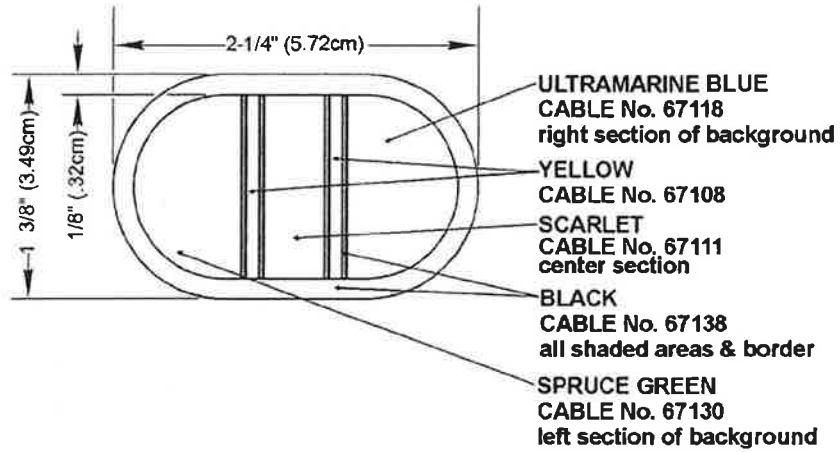
A-4-313

SCALE FULL DATE **21 AUGUST 2017**

MATERIALS:
TO BE MANUFACTURED IN ACCORDANCE WITH MIL-DTL-14652

REVISIONS

LTR	DESCRIPTION	DATE	APPROVED
-----	-------------	------	----------



DESIGNED FOR OVEREDGE STITCHING

UNLESS OTHERWISE SPECIFIED DIMENSIONS ARE IN INCHES TOLERANCES ON FRACTIONS DECIMALS ANGLES

MATERIALS:
TO BE MANUFACTURED IN ACCORDANCE WITH MIL-DTL-14852

EXAMINED	<i>SAO</i>
CHECKED	<i>CA</i>
PREPARED	<i>CA/CLN</i>
APPROVED	
MUGNO CHARLES.V.1020 Digitally signed by MUGNO CHARLES.V.1020723374 DN: cn=Charles V. Mugno, o=Army, ou=The Institute of Heraldry, email=charles.v.1020@army.mil, serial=723374, date=2017.08.21 17:03:14 -0400	
CHARLES V. MUGNO DIRECTOR	

THE INSTITUTE OF HERALDRY, DEPARTMENT OF THE ARMY
 9325 GUNSTON RD, RM S-113 FORT BELVOIR, VA 22060-5579

BACKGROUND TRIMMING FOR

767TH ODNANCE COMPANY

SIZE CONTROL IDENT. NO
A 22571

A-6-340

SCALE FULL DATE **21 AUGUST 2017**