

Special Warfare Noncommissioned Officer Academy,



Description

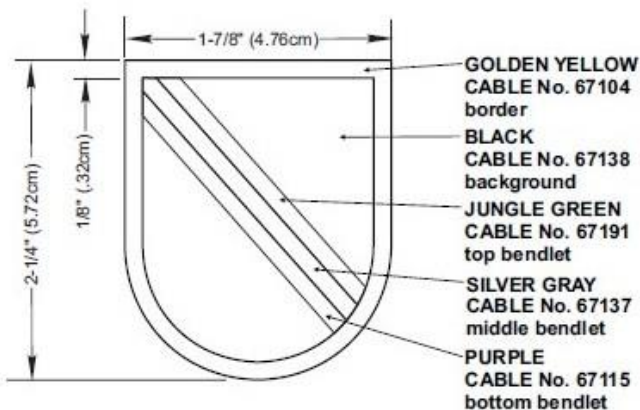
A black shield-shaped embroidered item with a semi-circular base 2 1/4 inches (5.72 cm) in height and 1 7/8 inches (4.76 cm) in width overall, divided diagonally from upper left to lower right by three 1/8 inch (.32 cm) stripes, jungle green over silver gray over purple; all within a 1/8 inch (.32 cm) golden yellow border. The beret flash was approved on 1 August 2014. (TIOH Dwg. No. A-4-294)



Description

A black oval-shaped embroidered item 1 3/8 inches (3.49 cm) in height and 2 1/4 inches (5.72 cm) in width overall, divided diagonally from upper left to lower right by three 1/8 inch (.32 cm) stripes, jungle green over silver gray over purple; all within a 1/8 inch (.32 cm) golden yellow border. The background trimming was approved on 1 August 2014. (TIOH Dwg. No. A-6-321)

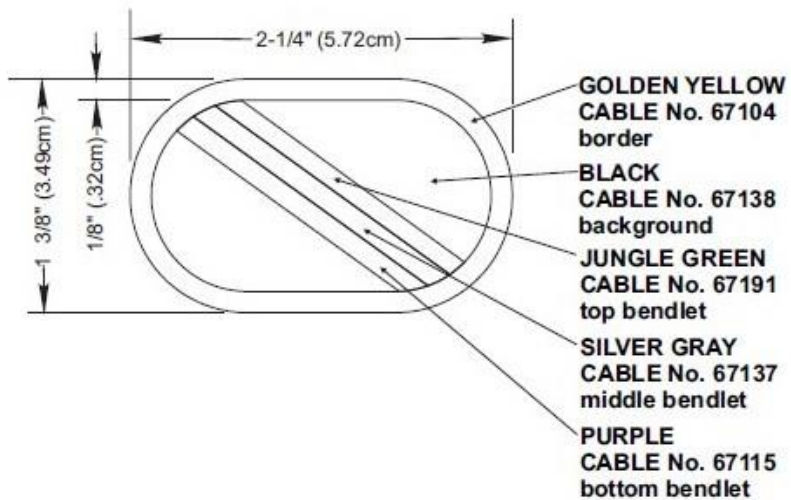
REVISIONS



DESIGNED FOR OVEREDGE STITCHING

UNLESS OTHERWISE SPECIFIED DIMENSIONS ARE IN INCHES TOLERANCES ON FRACTIONS DECIMALS ANGLES	THE INSTITUTE OF HERALDRY, DEPARTMENT OF THE ARMY	
	9325 GUNSTON RD, RM S-113 FORT BELVOIR, VA 22060-5579	
MATERIALS: TO BE MANUFACTURED IN ACCORDANCE WITH MIL-DTL-14652	EXAMINED	TLO
	CHECKED	pm SAO
	PREPARED	CLN
	APPROVED	SIZE CONTROL IDENT. NO
	<i>Charles V. Mugno</i> CHARLES V. MUGNO DIRECTOR	A 22571
	SCALE FULL	DATE 11 JULY 2014
		A-4-294

REVISIONS



DESIGNED FOR OVEREDGE STITCHING

UNLESS OTHERWISE SPECIFIED DIMENSIONS ARE IN INCHES TOLERANCES ON FRACTIONS DECIMALS ANGLES

MATERIALS:

TO BE MANUFACTURED IN ACCORDANCE WITH MIL-DTL-14652

EXAMINED		
CHECKED	<i>pm</i>	<i>SAO</i>
PREPARED	CLN	

APPROVED
Charles V. Mugno
 CHARLES V. MUGNO
 DIRECTOR

THE INSTITUTE OF HERALDRY, DEPARTMENT OF THE ARMY
 9325 GUNSTON RD, RM S-113 FORT BELVOIR, VA 22060-5579

**NONCOMMISSIONED OFFICER ACADEMY AT THE
 SPECIAL WARFARE CENTER AND SCHOOL**

SIZE CONTROL IDENT. NO
A 22571

A-6-321

SCALE FULL DATE

11 JULY 2014