

412th Civil Affairs Battalion, A-4-243 / A-6-264



Beret Flash

Description/Blazon

A black shield-shaped embroidered item with a semi-circular base 2 1/4 inches (5.72 cm) in height and 1 7/8 inches (4.76 cm) in width overall, with a 3/4 inch (1.91 cm) purple diagonal band from upper right to lower left; all edged with a 1/8 inch (.32 cm) white border. The beret flash was approved on 25 October 2007.

TIOH Dwg. No. A-4-243



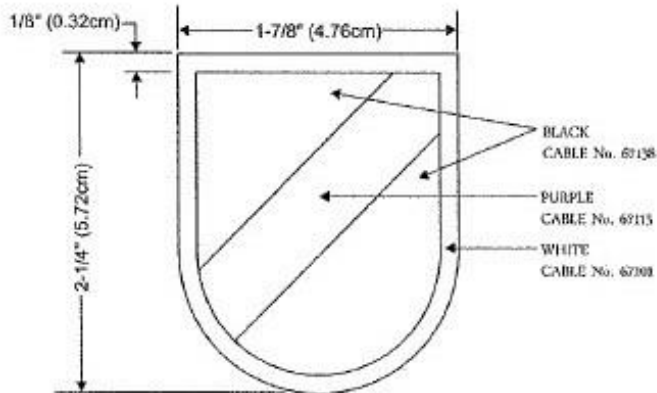
Background Trimming

Description/Blazon

A black oval-shaped embroidered item 1 3/8 inches (3.49 cm) in height and 2 1/4 inches (5.72 cm) in width overall, with a 3/4 inch (1.91 cm) purple diagonal band from upper right to lower left; all edged with a 1/8 inch (.32 cm) white border. The background trimming was approved on 25 October 2007.

TIOH Dwg. No. A-6-264

REVISIONS			
LTR	DESCRIPTION	DATE	APPROVED



DESIGNED FOR OVEREDGE STITCHING

UNLESS OTHERWISE SPECIFIED DIMENSIONS ARE IN INCHES TOLERANCES ON FRACTIONS DECIMALS ANGLES

MATERIALS:
TO BE MANUFACTURED IN ACCORDANCE WITH MIL-DTL-14852

EXAMINED	<i>SWH</i>	
CHECKED	<i>pm</i>	
PREPARED	<i>CLHIII</i>	
APPROVED	<i>Charles V. Mugno</i>	

Charles V. Mugno
CHARLES V. MUGNO
DIRECTOR

THE INSTITUTE OF HERALDRY, DEPARTMENT OF THE ARMY
9325 GUNSTON RD, RM S-112 FORT BELVOIR, VA 22060-5579

BERET FLASH FOR

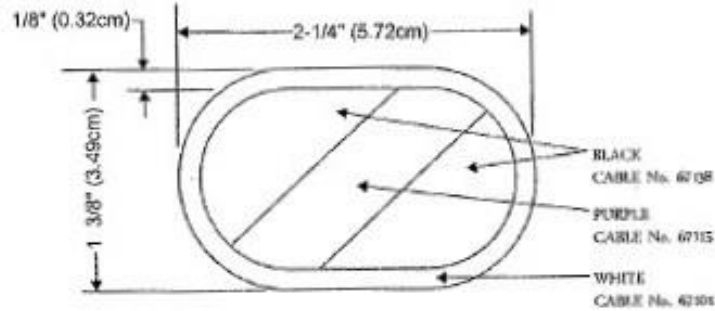
412TH CIVIL AFFAIRS BATTALION

SIZE	CONTROL IDENT. NO	
A	22571	A-4-243

SCALE FULL DATE 16 OCTOBER 2007

REVISIONS

LTR	DESCRIPTION	DATE	APPROVED
-----	-------------	------	----------



DESIGNED FOR OVEREDGE STITCHING

UNLESS OTHERWISE SPECIFIED DIMENSIONS ARE IN INCHES
TOLERANCES ON FRACTIONS DECIMALS ANGLES

MATERIALS:
TO BE MANUFACTURED IN ACCORDANCE WITH MIL-DTL-14452

EXAMINED		
CHECKED		
PREPARED	CLF:BE	
APPROVED		

CHARLES V. MUSAIO
DIRECTOR

THE INSTITUTE OF HERALDRY, DEPARTMENT OF THE ARMY
9325 GUNSTON RD, RM S-112 FORT BELVOIR, VA 22060-5579

BACKGROUND/TRIMMING FOR

412TH CIVIL AFFAIRS BATTALION

SIZE	CONTROL IDENT. NO	
A	22571	A-6-264
SCALE	FULL DATE	16 OCTOBER 2007