

96th Civil Affairs Battalion,

A-4-19 / A-6-16

Beret Flash



Description

A green shield shaped insignia with semicircular base edged with a 1/8 inch (.32 cm) yellow border, the overall dimensions 2 1/4 inches (5.72 cm) in height and 1 7/8 inches (4.76 cm) in width, bearing a white bend 3/4 inch (1.91 cm) in width charged with a purple bendlet 1/4 inch (.64 cm) in width. The beret flash was approved on 10 October 1986. (TIOH Dwg. No. A-4-19)

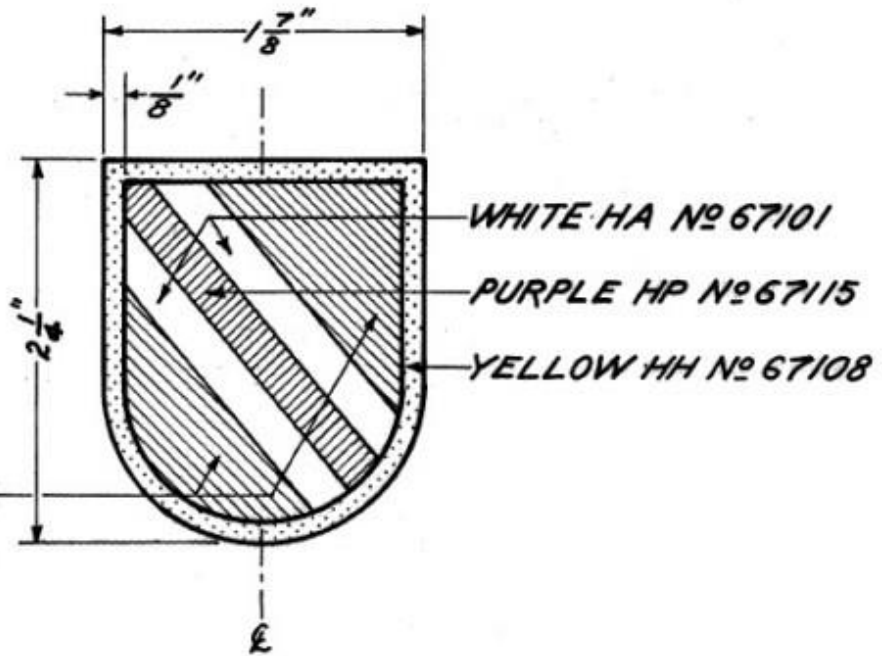
Background Trimmings



Description

A green oval shaped device edged with a 1/8 inch (.32 cm) yellow border, the overall dimensions 1 3/8 inches (3.49 cm) in height and 2 1/4 inches (5.72 cm) in width, bearing a white bend 3/4 inch (1.91 cm) in width charged with a purple bendlet 1/4 inch (.64 cm) in width. The background trimming was approved on 10 October 1986. (TIOH Dwg. No. A-6-16)

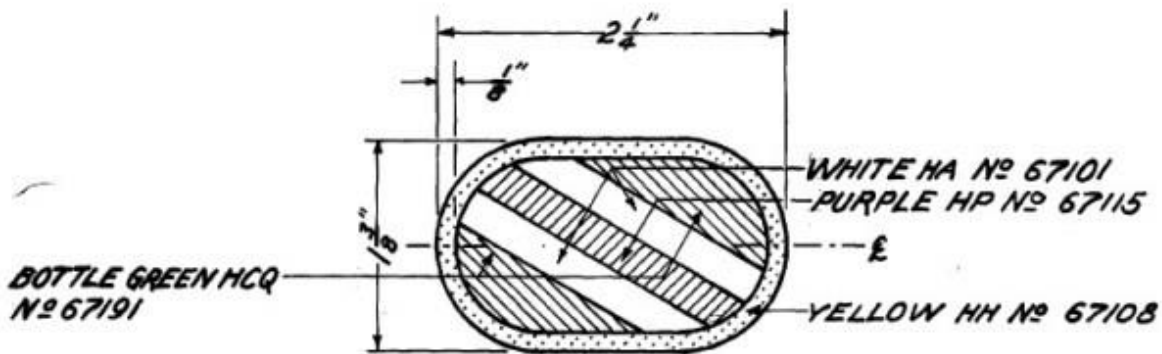
REVISIONS			
LTR	DESCRIPTION	DATE	APPROVED



DESIGNED FOR OVEREDGE STITCHING

UNLESS OTHERWISE SPECIFIED DIMENSIONS ARE IN INCHES TOLERANCES ON FRACTIONS DECIMALS ANGLES			THE INSTITUTE OF HERALDRY, U.S.ARMY CAMERON STATION, ALEXANDRIA, VA 22304-5050		
	EXAMINED	<i>df</i>	BERET FLASH FOR 96TH CIVIL AFFAIRS BATTALION		
	CHECKED	<i>MM</i>			
MATERIAL:	PREPARED	<i>egp</i>	SIZE	CODE IDENT. NO.	
	APPROVED	<i>Gerald T. Luchino</i> GERALD T. LUCHINO, COL, GS, DIRECTOR	A	22571	A-4-19
			SCALE FULL	DATE 10 OCTOBER 1986	

REVISIONS			
LTR	DESCRIPTION	DATE	APPROVED



DESIGNED FOR OVEREDGE STITCHING

UNLESS OTHERWISE SPECIFIED DIMENSIONS ARE IN INCHES TOLERANCES ON FRACTIONS DECIMALS ANGLES

MATERIAL:

EXAMINED	<i>JP</i>	
CHECKED	<i>MW</i>	
PREPARED	<i>egp</i>	

APPROVED
Gerald T. Luchino
 GERALD T. LUCHINO, COL,
 GS, DIRECTOR

THE INSTITUTE OF HERALDRY, U.S. ARMY
 CAMERON STATION, ALEXANDRIA, VA 22304-5050

BACKGROUND TRIMMING FOR
96TH CIVIL AFFAIRS BATTALION

SIZE	CODE IDENT. NO.	A-6-16
A	22571	
SCALE FULL	DATE 10 OCTOBER 1986	