

APPROVED

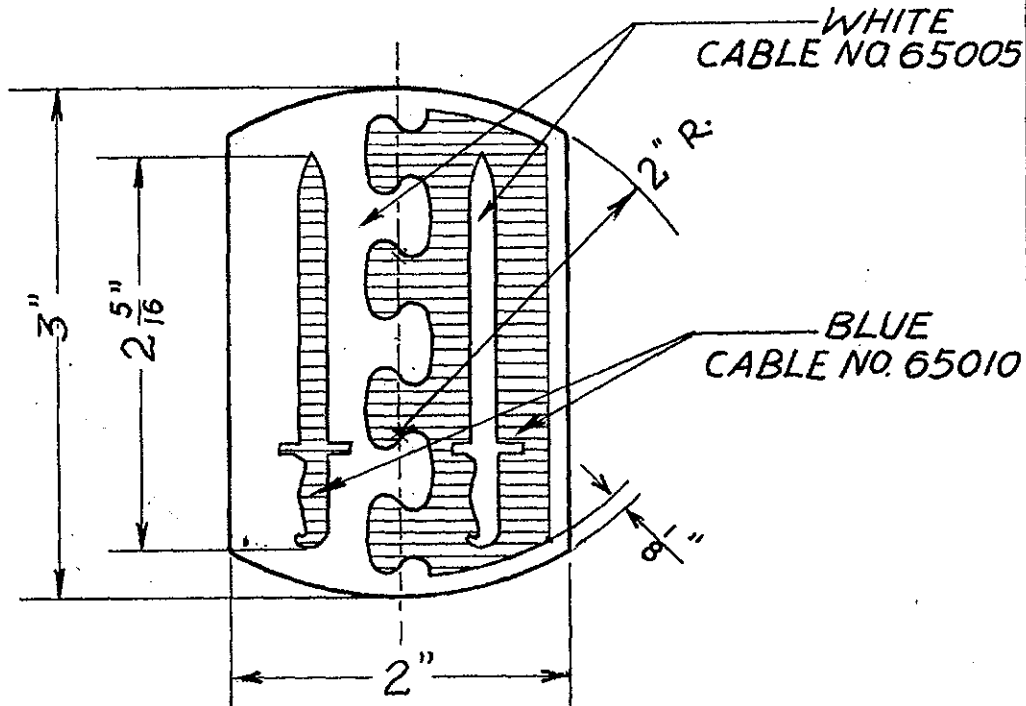
FOR G. M. [Signature]

APPROVED FOR
HERALDIC SERVICES DIVISION

JOHN G. GOODETT JR., MAJOR, O.M.C.

CHECKED BY ML 9MS

DRAWN BY KS



SUPERSEDES DWG. 5-2-9, REVISED 29 MAY 1958
FORMERLY: 2ND ABN. INF. BRIGADE

REVISED

TITLE

SHOULDER SLEEVE INSIGNIA
2D INFANTRY BRIGADE

DATE

29 MAY 1958

DEPARTMENT OF THE ARMY
O. Q. M. G.

DRAWING NO.

A-1-276

CANCELLED 23 DECEMBER 1964