

U.S. Army School of the Americas,
A-4-69 / A-4-105 / A-6-126
Beret Flash



Description/Blazon

(TIOH Dwg. No. A-4-69) Dated 1990

(TIOH Dwg. No. A-4-105) Dated 1992

(TIOH Dwg. No. A-4-105) Dated 2001

Background Trimming



Description/Blazon

(TIOH Dwg. No. A-6-126) Dated 1992

(TIOH Dwg. No. A-6-126) Dated 2001

Information & Plaques Courtesy of The Institute of Heraldry!!



DEPARTMENT OF THE ARMY
THE INSTITUTE OF HERALDRY, UNITED STATES ARMY
CAMERON STATION, ALEXANDRIA, VIRGINIA 22304-5050



REPLY TO
ATTENTION OF

TAPC-PDH-R (840-10a)

13 MAR 1992

MEMORANDUM FOR Commandant, U.S. Army School of the Americas,
Fort Benning, Georgia 31905-6245

SUBJECT: Beret Flash and Background Trimming for the Special
Operations and Civil Military Operations Department, U.S. Army
School of the Americas

1. In accordance with the provisions of paragraph 28-29a,
AR 670-1, a beret flash is authorized for wear by members of the
Special Operations and Civil Military Operations Department,
U.S. Army School of the Americas. The description of the design
is as follows:

BERET FLASH

On a white shield-shaped embroidered item with
a semicircular base edged with a 1/8 inch
(.32 cm) blue border, 2 1/4 inches (5.72 cm)
in height and 1 7/8 inches (4.76 cm) in width
overall, bearing three 1/8 inch (.32 cm) stripes
red over white over blue from upper right to
lower left surmounted by a red cross patty.

CABLE NUMBERS OF COLORS

| | |
|------------------|-------|
| Ultramarine Blue | 67118 |
| Scarlet | 67111 |
| White | 67101 |

2. In accordance with the provisions of paragraph 28-29b,
AR 670-1, the background trimming described below is authorized
for wear by members of the Special Operations and Civil Military
Operations Department, U.S. Army School of the Americas:

BACKGROUND TRIMMING

On an oval-shaped embroidered item divided
diagonally from upper right to lower left blue
over red, and edged with a 3/16th inch (.48 cm)
white border; three 1/8 inch (.32 cm) stripes
on the diagonal from upper right to lower left
red over white over blue.

TAPC-PDH-R

SUBJECT: Beret Flash and Background Trimming for the Special Operations and Civil Military Operations Department, U.S. Army School of the Americas

CABLE NUMBERS OF COLORS

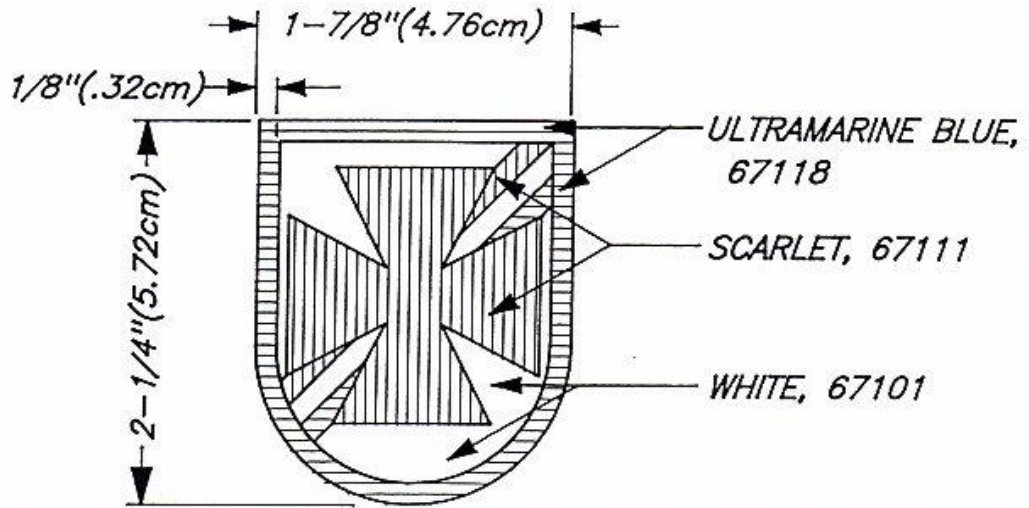
| | |
|------------------|-------|
| Ultramarine Blue | 67118 |
| Scarlet | 67111 |
| White | 67101 |

3. This authorization does not grant exclusive use of the above colors and pattern design for the Special Operations and Civil Military Operations Department, U.S. Army School of the Americas.

G.T. Luchino
 GERALD T. LUCHINO
 Director



| REVISIONS | | | |
|-----------|-------------|------|----------|
| LTR | DESCRIPTION | DATE | APPROVED |



DESIGNED FOR OVEREDGE STITCHING

UNLESS OTHERWISE SPECIFIED DIMENSIONS ARE IN INCHES TOLERANCES ON FRACTIONS DECIMALS MILLIMETERS

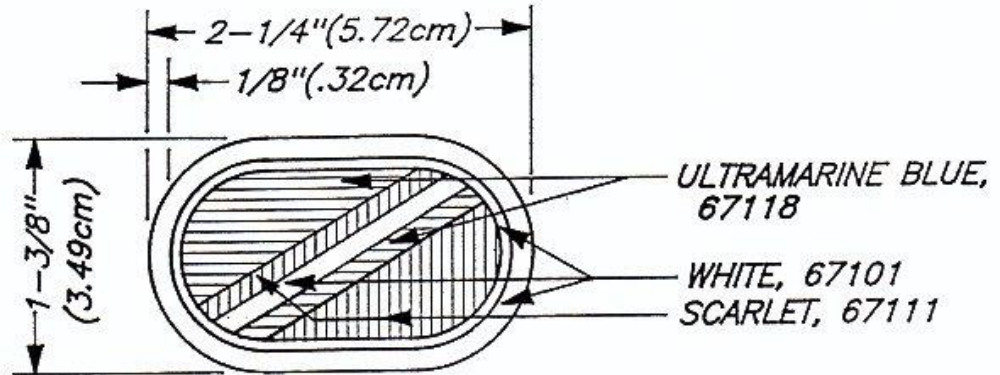
TO BE MANUFACTURED ACCORDANCE WITH L-1-14652

| | | |
|----------|-----|---|
| EXAMINED | SWH | ✓ |
| CHECKED | JM | |
| PREPARED | egp | |

APPROVED
G.T. Luchino
 GERALD T. LUCHINO
 DIRECTOR

| | |
|--|----------------------------------|
| THE INSTITUTE OF HERALDRY, U.S.ARMY CAMERON STATION ALEXANDRIA, VA 22304-5050 | |
| BERET FLASH FOR SPECIAL OPERATIONS AND CIVIL MILITARY OPERATIONS DEPARTMENT, SCHOOL OF THE AMERICAS | |
| SIZE A | CODE IDENT. NO. 22571 A-4-105 |
| SCALE FULL | DATE 24 FEBRUARY 1992 |

| REVISIONS | | | |
|-----------|-------------|------|----------|
| LTR | DESCRIPTION | DATE | APPROVED |



DESIGNED FOR OVEREDGE STITCHING

| | | | |
|---|--|---|------------------|
| UNLESS OTHERWISE SPECIFIED DIMENSIONS ARE IN INCHES TOLERANCES ON ACTIONS DECIMALS IGLF | THE INSTITUTE OF HERALDRY, U.S.ARMY CAMERON STATION ALEXANDRIA, VA 22304-5050 | | |
| | EXAMINED | SWH | 4/2 |
| | CHECKED | JMH | |
| | PREPARED | egp | |
| TO BE MANUFACTURED ACCORDANCE WITH L-1-14652 | APPROVED | BACKGROUND TRIMMING FOR SPECIAL OPERATIONS AND CIVIL MILITARY OPERATIONS DEPARTMENT, SCHOOL OF THE AMERICAS | |
| | GERALD T. LUCHINO DIRECTOR | SIZE | CODE IDENT. NO. |
| | | A | 22571 |
| | | A-6-126 | |
| | SCALE FULL | DATE | 24 FEBRUARY 1992 |

TAPC-PDH-H

4 Jun 2001

MEMORANDUM THRU Commander, Western Hemisphere Institute for Security Cooperation, 7011 Morrison Avenue, Ridgeway Hall, Fort Benning, Georgia 31905-2611

FOR Commander, The Training Battalion, Western Hemisphere Institute for Security Cooperation

SUBJECT: Beret Flash and Background Trimming for The Training Battalion, Western Hemisphere Institute for Security Cooperation

1. The beret flash and background trimming previously authorized for Special Operations and Civil Military Operations Department, The School of the Americas is cancelled. A new beret flash and background trimming is authorized for wear by members of The Training Battalion, Western Hemisphere Institute for Security Cooperation this date.
2. The descriptions are as follows:

BERET FLASH

A white shield-shaped embroidered device with semi-circular base, 2 1/4 inches (5.72cm) in height and 1 7/8 inches (4.76cm) in width overall, edged with a 1/8 inch (.32cm) blue border, bearing a 1/8 inch (.32cm) yellow stripe from upper right to lower left surmounted by a red cross.

CABLE NUMBERS OF COLORS

| | |
|----------|-------|
| Bluebird | 67117 |
| Yellow | 67108 |
| Scarlet | 67111 |

BACKGROUND TRIMMING

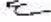
An oval-shaped embroidered item 1 3/8 inches (3.49cm) in height and 2 1/4 inches (5.72cm) in width overall, divided diagonally from upper right to lower left by a yellow stripe 1/8 inch (.32cm) with blue above the diagonal and white below bordered by a 1/8 inch (.32cm) blue border.

TAPC-PDH-H

4 Jun 2001

SUBJECT: Beret Flash and Background Trimming for The Training Battalion, Western Hemisphere Institute for Security Cooperation

3. This authorization does not grant exclusive use of the above colors and pattern design to The Training Battalion, Western Hemisphere Institute for Security Cooperation.


FRED N. EICHORN
Director

CF: CMH

AO: S O'Connor

Artist: R Rapoza 2 hr

File: corresp/flash&trim/TTB WHINSEC 4 Jun 2001



*BERET FLASH FOR
WESTERN HEMISPHERE INSTITUTE FOR SECURITY
COOPERATION, TRAINING BATTALION*

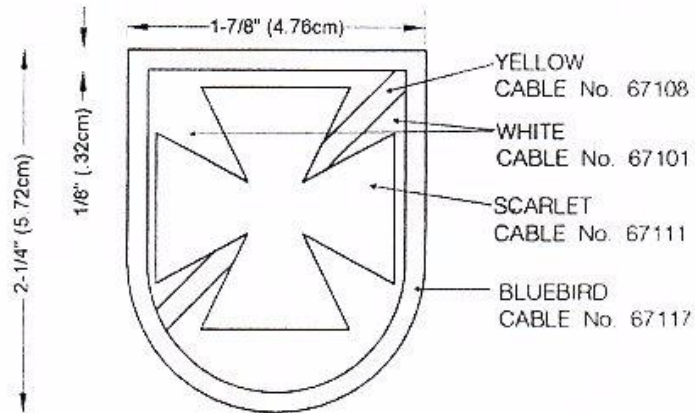


BACKGROUND TRIM

**WESTERN HEMISPHERE INSTITUTE FOR SECURITY
COOPERATION, TRAINING BATTALION**

REVISIONS

| LTR | DESCRIPTION | DATE | APPROVED |
|-----|-------------|------|----------|
|-----|-------------|------|----------|



DESIGNED FOR OVEREDGE STITCHING

SUPERSEDES TIOH DWG No. A-4-105 DTD 24 FEBRUARY 1992

UNLESS OTHERWISE SPECIFIED DIMENSIONS ARE IN INCHES TOLERANCES ON FRACTIONS DECIMALS ANGLES

MATERIALS
TO BE MANUFACTURED IN ACCORDANCE WITH MIL-DTL-14652

| | | |
|----------|------------|-----------|
| EXAMINED | <i>SMH</i> | S O' C |
| CHECKED | JPS | <i>fu</i> |
| PREPARED | RR | |

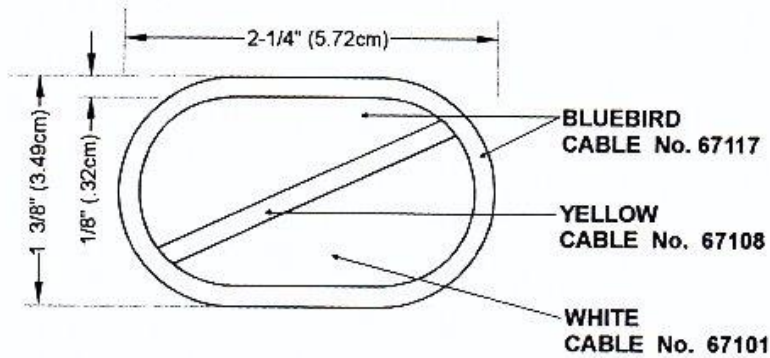
APPROVED
Fred N. Eichhorn
FRED N. EICHORN
DIRECTOR

THE INSTITUTE OF HERALDRY, U.S. ARMY
9325 GUNSTON RD. S-112 FORT BELVOIR, VA 22060-5579

BERET FLASH FOR
**WESTERN HEMISPHERE INSTITUTE
FOR SECURITY COOPERATION,
THE TRAINING BATTALION**

| | | |
|----------|-------------------|--------------------|
| SIZE | CONTROL IDENT. NO | A - 4 - 105 |
| A | 22571 | |
| SCALE | FULL | DATE |
| | | 5 JUNE 2001 |

| REVISIONS | | | |
|-----------|---------------------|-----------|---|
| LTR | DESCRIPTION | DATE | APPROVED |
| A | CORRECTED TITLE BOX | 6 JUN '01 | <i>Fred N. Eichorn</i> FRED N. EICHORN DIRECTOR |



DESIGNED FOR OVEREDGE STITCHING

SUPERSEDES TIOH DWG No. A-6-126 DTD 24 FEBRUARY 1992

| | | | | | |
|--|---|------------|-----------|--|--------------------|
| UNLESS OTHERWISE SPECIFIED DIMENSIONS ARE IN INCHES TOLERANCES ON FRACTIONS DECIMALS ANGLES | | | | THE INSTITUTE OF HERALDRY, U.S. ARMY | |
| | | | | 9325 GUNSTON RD. S-112 FORT BELVOIR, VA 22060-5579 | |
| | EXAMINED | <i>SMH</i> | SO'C | <i>BACKGROUND TRIMMING FOR</i> WESTERN HEMISPHERE INSTITUTE FOR SECURITY COOPERATION, THE TRAINING BATTALION | |
| | CHECKED | JPS | <i>fu</i> | | |
| PREPARED | RR | | | | |
| MATERIALS: TO BE MANUFACTURED IN ACCORDANCE WITH MIL-DTL-14652 | APPROVED <i>Fred N. Eichorn</i> FRED N. EICHORN DIRECTOR | | | SIZE | CONTROL IDENT. NO |
| | | | | A | 22571 |
| | | | | SCALE | DATE |
| | | | | FULL | 5 JUNE 2001 |
| | | | | A - 6 - 126 | |